

SINGER
99W125

LIST OF PARTS



MACHINE No. 99w125

THE SINGER MANUFACTURING COMPANY

INDEX

	Page
Accessories	36
Driving Equipment	38
Machine No. 99w125	5
Numerical List of Parts	45
Pattern Wheels	42
Shaft Pulleys	43
Singer Knife Trueing Fixture	44
Thread Lubricating Cup	44
Thread Unwinder	37

From the library of: Diamond Needle Corp

INSTRUCTIONS FOR ORDERING

In ordering from this list, use ONLY the PART number in the FIRST column.

The number stamped on a Sewing Machine Part is the number of the Single Part only, except when the part includes Set Screws, Clamping Screws, Studs and Rollers Spun on, Small Wires riveted, or Parts soldered together, etc., which it is necessary to furnish in combination.

Every combination of parts sent out has its specific number which, although not stamped on Parts (except in above case), must be used when ordering the combination.

Each number always indicates the SAME PART in whatever list it appears, or for whatever Machine.

The letters after some of the numbers indicate the style of finish only, as follows:

- A. Hardened, Polished, Nickel Plated and Buffed.
- B. Polished, Nickel Plated and Buffed.
- C. Hardened only.
- D. Polished only.
- E. Soft, not polished.
- F. Hardened and Polished.
- H. Blued.
- J. Nickel Plated only.
- R. Merlized.
- X. Black Oxide.
- XC. Hardened and Black Oxide.
- Y. Blade Nickel only.

These letters MUST BE USED when they appear in the list and AFTER the number, as in the list.

In this series

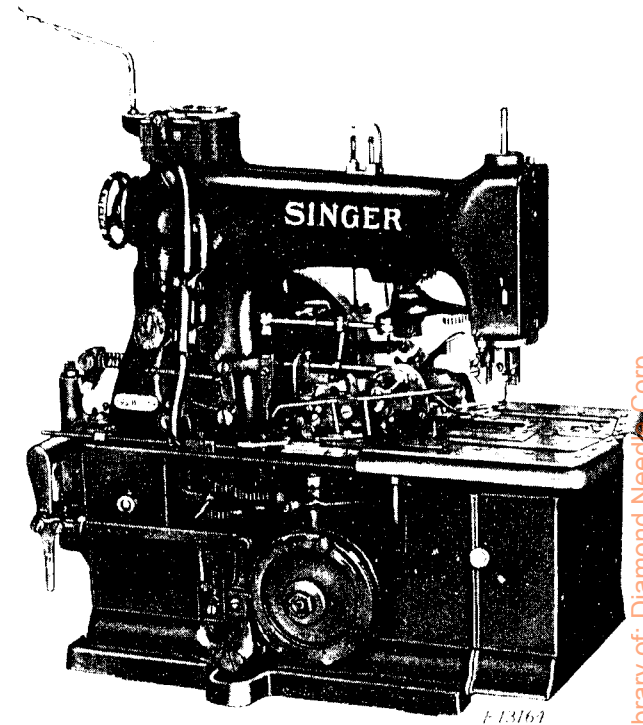
200001 to 201500 and 350001 to 351500 are Screw Numbers.
 201501 to 201800 and 351501 to 351800 are Nut Numbers.
 201801 to 202000 and 351801 to 352000 are Roller Numbers.
 202001 to 350000 are Numbers of Machine Parts.

The figures in the second column refer only to the plate in which the illustration of the part is shown and are TO BE USED in ordering.

Two or more numbers over a cut indicate that the difference between such parts is not visible in an illustration.

Parts marked with an asterisk (*) are furnished when repairs are made at the factory.

LIST OF PARTS COMPLETE FOR



MACHINE No. 99w125

Automatic Eyelet End Buttonhole Machine. For 11/16 in. Buttonhole, Small or Medium Eye, with or without Square Barin Vests, Pocket Flaps and Similar work. Lays a Reinforcing Cord Under the Stitch on the Purl Side of the Buttonhole. Cuts the Needle Thread and the Hole AFTER Stitching.

No.	Plate	Name
*256041	-----	Arm
204235	16348	" Position Pin (2)
200020E	16348	" Screw (4)
232488	16348	" Shaft
232489	16348	" " Bevel Gear with 453E
232244	16348	" " " " Position Pin
453E	16348	" " " " Set Screw
232002	16348	" " Bushing (back) with 202260
232490	16348	" " " (front) with 202260
202260	16348	" " Oil Packing (wick)
200100E	16348	" " " Screw (4)
232003	16348	" " Hand Wheel with two 200341C
200341C	16348	" " " " Set Screw

From the library of: Diamond Needle Corp

No.	Plate	Name
150D	16348	Arm Shaft Screw
250002	16348	" Side Cover
200110D	16348	" " " Screw
*253602	-----	Bed with 250079, 253683, 255509, 255511, 255512, two each 127D, 40025 and eight 50168E
250009	16350	Bed End Cover
232025	16350	" " " Catch (2)
232026	16350	" " " " Position Pin (2)
250010	16350	" " " " Releaser (2)
204264	16350	" " " " Stop Pin (2)
200047D	16350	" " " " Screw (2)
201531H	16350	" " " " Nut (2)
250011	16350	" " " Support (left)
250012	16350	" " " " (right)
457C	16350	" " " " Set Screw (2)
250013	16367	" Extension
250397	16367	" " Position Pin (2)
134D	16367	" " Screw (4)
250014	16402	" Shaft
255521	16402	" " Bevel Gear with two 453C
232719	16402	" " " " Position Pin (2)
453C	16402	" " " " Set Screw
232030	16402	" " Bushing (back) with 202260
202260	16402	" " " " Oil Packing (wick)
232821	16402	" " " " Tube (brass)
230795	16402	" " " " Pin
200100E	16402	" " " " Screw (2)
250015	16402	" " " (front)
255527	16402	" " " " Oil Tube (brass)
250451	16402	" " " " Bracket
330D	16402	" " " " Screw
232244	16402	" " " " Position Pin
200100E	16402	" " " " Screw (2)
250017	16402	" " Collar with two 1258E (2)
1258E	16402	" " " Set Screw
232725	16402	Belt Guard
9D	16402	" " Screw
253548	16439	Buttonhole Cutting Block (steel), 11/16 in. eye
350111C	16440	Buttonhole Cutting Block Pinch Screw
250468	16440	" " " " " Wash-er
1281E	16440	Buttonhole Cutting Block Stop Screw
256043	16356	" " Carrier Cam with 200364C
40025	16356	" " " " Position Pin
200364C	16356	" " " " Set Screw
256044	16356	" " " " Lever with 990D, 201524E, 350377C and 351860
50031C	16356	Buttonhole Cutting Carrier Lever Adjusting Screw Stud

No.	Plate	Name
201711C	16356	Buttonhole Cutting Carrier Lever Adjusting Screw Stud Nut
39541	16356	Buttonhole Cutting Carrier Lever Adjusting Screw Stud Nut Washer
250022	16356	Buttonhole Cutting Carrier Lever Adjusting Screw Stud Sleeve
351860	16356	Buttonhole Cutting Carrier Lever Roller
990D	16356	" " " " " Cap Screw
350377C	16356	Buttonhole Cutting Carrier Lever Roller Screw Stud
201524E	16356	Buttonhole Cutting Carrier Lever Roller Screw Stud Nut
232036	16356	Buttonhole Cutting Carrier Lever Slide Block
250023	16441	Buttonhole Cutting Disengaging Lever
57C	16441	" " " " Hinge Screw
203213	16441	Buttonhole Cutting Disengaging Lever Spring
250592	16441	Buttonhole Cutting Disengaging Push Rod
2273	16441	" " " " " Pin
255171	16406	Buttonhole Cutting Driving Wheel with 446E
255544	16406	Buttonhole Cutting Driving Wheel Lock
232044	16406	" " " " " Spring
200051E	16406	Buttonhole Cutting Driving Wheel Lock Spring Screw
228026	16406	Buttonhole Cutting Driving Wheel Lock Spring Screw Washer
255545	16406	Buttonhole Cutting Driving Wheel Lock Stop Plate
162D	16406	Buttonhole Cutting Driving Wheel Lock Stop Plate Screw (2)
255546	16406	Buttonhole Cutting Driving Wheel Lock Stop Plate Screw Lock Washer (2)
232150	16406	Buttonhole Cutting Driving Wheel Position Pin
446E	16406	Buttonhole Cutting Driving Wheel Set Screw
253516	16439	Buttonhole Cutting Knife (.100 x .157 eye)
250027	16439	Buttonhole Cutting Knife Adjusting Block
1100D	16439	" " " " " Screw
254154	16439	Buttonhole Cutting Knife Base Plate
201474E	16440	" " " " " Adjusting Screw (2)

From the library of: Diamold Neer Corp

PARTS FOR MACHINE No. 99w125			No.	Plate	Name
8					
No.	Plate	Name			
1454E	16439	Buttonhole Cutting Knife Base Plate Screw	251270	16440	Buttonhole Cutting Lever Spring Bracket (lower) Pin
250475	16439	Buttonhole Cutting Knife Clamping Lever	232482	16440	Buttonhole Cutting Lever Spring Bracket (upper)
350114C	16439	" " " " " "	232483	16440	Buttonhole Cutting Lever Spring Bracket (upper) Pin
		Hinge Screw	250039	16439	Buttonhole Cutting Pressure Wedge with 232056
250030	16439	Buttonhole Cutting Knife Clamping Plate	*201155D	16439	Buttonhole Cutting Pressure Wedge Adjusting Screw
254155	16440	" " Lever (lower) with 251269 and 251270	250538	16439	Buttonhole Cutting Pressure Wedge Adjusting Screw 201155D with 2273, 201672E, 232054 and 232055
250032	16405	Buttonhole Cutting Lever (lower) Cam with 453C	232054	16439	Buttonhole Cutting Pressure Wedge Adjusting Screw Collar
40025	16405	Buttonhole Cutting Lever (lower) Cam Position Pin	232055	16439	Buttonhole Cutting Pressure Wedge Adjusting Screw Collar Position Pin
453C	16405	Buttonhole Cutting Lever (lower) Cam Set Screw	232466	16439	Buttonhole Cutting Pressure Wedge Adjusting Screw Lock Spring
250033	16440	Buttonhole Cutting Lever (upper) with 232482, 250468, 350111C and two 232483	662D	16439	Buttonhole Cutting Pressure Wedge Adjusting Screw Lock Spring Screw
251271	16405	Buttonhole Cutting Lever (upper) Cam with 453C	201672E	16439	Buttonhole Cutting Pressure Wedge Adjusting Screw Nut
40025	16405	Buttonhole Cutting Lever (upper) Cam Position Pin	2273	16439	Buttonhole Cutting Pressure Wedge Adjusting Screw Nut Pin
453C	16405	Buttonhole Cutting Lever (upper) Cam Set Screw	232056	16439	Buttonhole Cutting Pressure Wedge Boss
250464	16440	Buttonhole Cutting Lever Bracket with 200089D	232057	16439	" " " " " Post with 662D and 232466
256901	16440	Buttonhole Cutting Lever Bracket Arm	200122H	16439	Buttonhole Cutting Pressure Wedge Post Screw
50027E	16440	" " " " " " Screw	256182	16405	Buttonhole Cutting Shaft
256902	16440	Buttonhole Cutting Lever Bracket complete, Nos. 250464, 251295, 256901, 256906, 256913, two each 904C, 50027E and three 208E	255131	16405	" " " " Hand Crank with 350289C
255152	16440	Buttonhole Cutting Lever Bracket Gib (left)	350290H	16405	Buttonhole Cutting Shaft Hand Crank Cap Screw
250037	16440	Buttonhole Cutting Lever Bracket Gib (right)	350289C	16405	Buttonhole Cutting Shaft Hand Crank Position Screw
232380	16440	Buttonhole Cutting Lever Bracket Gib Adjusting Plate (2)	255132	16405	Buttonhole Cutting Shaft Hand Crank Washer
219E	16440	Buttonhole Cutting Lever Bracket Gib Adjusting Plate Screw (4)	256210	16405	Buttonhole Cutting Shaft Oil Packing (wick)
206482	16440	Buttonhole Cutting Lever Bracket Gib Adjusting Plate Screw Washer (4)	256211	16405	Buttonhole Cutting Shaft Pulley (loose) with 255021, 255144, 255158, 255168, two each 172D, 183C, 235404, four 210750 and eight 232817
350304E	16440	Buttonhole Cutting Lever Bracket Gib (left) Screw (3)	256002	16405	Buttonhole Cutting Shaft Pulley Bushing
201176E	16440	Buttonhole Cutting Lever Bracket Gib (right) Screw (3)	255168	16405	" " " " Oil Cup
250038	16440	Buttonhole Cutting Lever Hinge Stud	232817	16405	" " " " Stud
200089D	16440	" " " " " " Set Screw	256212	16405	" " " " Support Bracket
251268	16440	Buttonhole Cutting Lever Spring	250397	16405	" " " " " "
251269	16440	" " " " " " Bracket (lower)			Position Pin (2)

From the Library of: Dammig Green Corp

No.	Plate	Name
145E	16405	Buttonhole Cutting Shaft Support Bracket Screw (2)
250042	16406	Buttonhole Cutting Starting Lever with 201085C
232718	16406	Buttonhole Cutting Starting Lever Hinge Stud
200530E	16406	Buttonhole Cutting Starting Lever Hinge Stud Set Screw
232064	16406	Buttonhole Cutting Starting Lever Latch
350148D	16406	" " " " " "
		Hinge Screw
201531E	16406	Buttonhole Cutting Starting Lever Latch Hinge Screw Nut
232065	16406	Buttonhole Cutting Starting Lever Latch Spring
201218E	16406	Buttonhole Cutting Starting Lever Latch Spring Screw Stud (2)
200E	16406	Buttonhole Cutting Starting Lever Latch Stop Screw
250043	16406	Buttonhole Cutting Starting Lever Plate
200577XC	16402	" " " " " "
		Screw (2)
201085C	16406	Buttonhole Cutting Starting Lever Re-storing Screw Stud
250456	16441	Buttonhole Cutting Starting Lever Safety Plate
208E	16441	Buttonhole Cutting Starting Lever Safety Plate Screw (2)
250044	16406	Buttonhole Cutting Starting Lever Spring
350105E	16406	" " " " " "
		Screw Stud
250045	16441	Buttonhole Cutting Trip Lever with 460C
250046	16441	" " " " Bracket
232154	16441	" " " " " " Posi-
		tion Pin (2)
161D	16441	Buttonhole Cutting Trip Lever Bracket Screw (2)
2049	16441	Buttonhole Cutting Trip Lever Position Pin
250047	16441	Buttonhole Cutting Trip Lever Safety Lever with 237F
232343	16441	Buttonhole Cutting Trip Lever Safety Lever Position Pin
237F	16441	Buttonhole Cutting Trip Lever Safety Lever Set Screw
460C	16441	Buttonhole Cutting Trip Lever Set Screw
250048	16441	" " " " Shaft
250049	16441	" " " " Spring
201432C	16441	" " " " Screw Stud
1521J	16441	" " " " " Nut

No.	Plate	Name
255062	16441	Buttonhole Cutting Trip Screw Stud Shim (.010 in.thick)
255063	16441	Buttonhole Cutting Trip Screw Stud Shim (.025 in.thick)
*256004	-----	Driving Wheel (loose)
256561	16402	" " 256004 with 250163 and 250398
256005	16402	Driving Wheel with 200383C
256007	16402	" " Clutch Stud (made in .212, .213, .214 and .215 in.diam.state size required)
9873	16402	Driving Wheel Position Pin
200383C	16402	" " Set Screw
256006	16402	" " Stop Cam
251025	16402	" " " " Position Collar with 1036C
1036C	16402	Driving Wheel Stop Cam Position Collar Set Screw
250417	16402	Driving Wheel Stop Cam Spring
200096D	16402	" " " " " " Position Screw
232520	16348	Face Plate
641D	16348	" " Screw (2)
232521	16442	Feed Adjusting Gear
250052	16442	" " " Bracket
250053	16442	" " " " Clamping Post
690D	16442	" " " " " " " "
		Screw (2)
350113C	16442	Feed Adjusting Gear Bracket Clamping Screw
250473	16442	Feed Adjusting Gear Bracket Clamping Screw Washer
201420C	16442	Feed Adjusting Gear Screw Stud
1518J	16442	" " " " " Nut
250704	16368	" Driving Gear (intermediate) with 457C
232721	16368	" " " " Position Pin
457C	16368	" " " " Set Screw
250055	16268	" " " " Shaft
256903	16442	" Wheel with three 232382
250057	16442	" " Driving Pawl (3)
201385C	16442	" " " " Hinge Screw (3)
250058	16442	" " " " Spring (3)
232382	16442	" " " " Pin
1449H	16442	" " " " Screw (3)
350071E	16442	" " Friction Ring Adjusting Screw
201522E	16442	" " " " " "
		Lock Nut
232131	16442	Feed Wheel Friction Ring Adjusting Screw Washer (2)
250059	16441	Feed Wheel Friction Ring Bracket

No.	Plate	Name
200070C	16441	Feed Wheel Friction Ring Bracket Screw (2)
250060	16442	Feed Wheel Friction Ring Section (long)
250061	16442	" " " " " (short)
232135	16442	" " " " Spring
256045	16442	" " Ring
256046	16442	" " " Gib (3)
209F	16442	" " " " Screw (6)
201362C	16442	" " Screw Stud
250418	16453	Finger Starting Lever with 250435 and 250436
250419	16453	Finger Starting Lever Hinge Block
350080D	16453	" " " " " Hinge Screw
253422	16441	Finger Starting Lever (intermediate)
253547	16441	" " " " Bracket with 208E and 991C
208E	16441	Finger Starting Lever (intermediate) Bracket Pinch Screw
158E	16441	Finger Starting Lever (intermediate) Bracket Screw
72D	16441	Finger Starting Lever (intermediate) Hinge Screw
646F	16441	Finger Starting Lever (intermediate) Operating Stud
251292	16441	Finger Starting Lever (intermediate) Operating Stud Collar with 646F
2273	16441	Finger Starting Lever (intermediate) Operating Stud Collar Position Pin
200097C	16453	Finger Starting Lever Screw
228026	16453	" " " " Washer
251518	16453	" " " Spring
250435	16453	" " " Stud (back)
250436	16453	" " " " (front)
232539	16368	Intermittent Feed Driving Wheel with two 465C
*256047	16368	Intermittent Feed Driving Wheel Bracket
232244	16368	" " " " " Position Pin (2)
129E	16368	Intermittent Feed Driving Wheel Bracket Screw (4)
250589	16368	Intermittent Feed Driving Wheel Driving Stud
204648	16368	Intermittent Feed Driving Wheel Driving Stud Position Pin
232541	16368	Intermittent Feed Driving Wheel Position Pin
465C	16368	Intermittent Feed Driving Wheel Set Screw
232542	16368	Intermittent Feed Driving Wheel Shaft

No.	Plate	Name
250705	16368	Intermittent Feed Driving Wheel Shaft Gear with 465C
232721	16368	Intermittent Feed Driving Wheel Shaft Gear Position Pin
465C	16368	Intermittent Feed Driving Wheel Shaft Gear Set Screw
253615	16443	Loop Retainer (left)
256049	16443	" " " Carrier
256050	16443	" " (right)
256051	16443	" " " Carrier
250068	16443	" " Adjusting Block (2)
256052	16402	" " Cam with 447E
40025	16402	" " " Position Pin
447E	16402	" " " Set Screw
250070	16443	" " Carrier Link (2)
201431C	16443	" " " " Screw (4)
250071	16443	" " " Shaft
250072	16443	" " " Collar
735E	16443	" " " Set Screw
256008	16443	" " Driving Bar
201726C	16443	" " " " Adjusting Nut (3)
256009	16443	" " " " " Washer (2)
201728C	16443	Loop Retainer Driving Bar Lock Nut
350388H	16443	" " " Screw (2)
250491	16443	" " " Washer (2)
250074	16443	" " Shim (.005 in.thick)
250449	16443	" " (.010 in.thick)
250450	16443	" " (.020 in.thick)
250537	16443	" " (.030 in.thick)
256010	16402	" " Slide with 201943
250076	16402	" " " Gib (lower) (2)
250077	16402	" " " " (upper) (2)
190D	16402	" " " " Screw (6)
*250078	16402	" " Slide Guide Extension
40025	16402	" " " " " Position Pin (2)
127D	16402	Loop Retainer Slide Guide Extension Screw (2)
201896	16402	Loop Retainer Slide Roller
201943	16402	" " " " " 201896 with 250429
250429	16402	Loop Retainer Slide Roller Stud
253472	16443	Looper (non-threaded)
253487	16443	" (threaded)
256053	16443	" Bracket with 735E
201722C	16443	" " Adjusting Nut
201722C	16443	" " " " Locking Nut
23421	16443	" " Dogging Hole Plug (leather)
250082	16444	" " Frame Chip Guard

No.	Plate	Name
401D	16444	Looper Bracket Frame Chip Guard Screw(3)
232555	16443	" " Rotating Gear with 906E
250084	16443	" " " " Position Pin
906E	16443	" " " " Set Screw
250085	16443	" Carrier
201433C	16443	" " Hinge Screw
250086	16443	" " Link
201099C	16443	" " " Hinge Screw (2)
256011	16443	" Driving Bar
201727C	16443	" " " Adjusting Nut (4)
256012	16443	" " " " Washer (2)
256013	16444	" " Connection with 1120C
1120C	16444	" " " Set Screw
250089	16444	" " " Slide Rod
250090	16444	" " " " " Bushing
		(lower)
250091	16444	Looper Driving Connection Slide Rod Bushing (upper)
256015	16444	Looper Driving Crank
256016	16444	" " " Bushing
200089E	16444	" " " " Screw (2)
256017	16444	" " " Link
250094	16444	" " " Gear with 735E
250095	16444	" " " " Position Pin
735E	16444	" " " " Set Screw
199C	16444	" " " Link Cap Screw
350278C	16444	" " " " Hinge Screw
250097	16444	" " Disc
256014	16444	" " " Bearing
51311E	16444	" " " " Screw (3)
350365C	16444	" " " " Cap Screw
250098	16444	" " Gear
176D	16444	" " " Screw (3)
201898	16402	" " Roller
201953	16402	" " " 201898 with 201144E
		and 250099 (2)
201144E	16402	Looper Driving Roller Cap Screw
250099	16402	" " " Stud
256551	16444	" Frame
250462	16444	" " Chip Guard
232866	16444	" " Position Pin (2)
201082E	16444	" " Screw (3)
190D	16443	" Screw (2)
250101	16443	" " Washer (2)
232270	16454	" Thread and Cord Clamping Spring (long)
232271	16454	Looper Thread and Cord Clamping Spring (short)
200186B	16454	Looper Thread and Cord Clamping Spring Screw

No.	Plate	Name
232272	16454	Looper Thread and Cord Cutter
200186B	16454	" " " " " Screw
256054	16444	" " Controller
256055	16444	" " " Bracket (adjustable)
1423F	16444	" " " " "
		Screw (2)
217D	16444	Looper Thread Controller Screw (2)
18859	16444	" " Guide
32012	16444	" " Tension Disc (2)
253530	16415	" " " Releaser
253531	16415	" " " Lever
350224E	16415	" " " " " Hinge Screw
253532	16415	" " " " " Rod
253535	16415	" " " " " " Collar
		with 237F (2)
237F	16415	Looper Thread Tension Releaser Lever Rod Collar Set Screw
251170	16415	Looper Thread Tension Releaser Lever Spring
1550J	16415	Looper Thread Tension Releaser Nut
7071	16415	" " " " Washer
253534	16365	" " " " Operating
		Cam Block with 219F
219F	16365	Looper Thread Tension Releaser Operating Cam Block Set Screw
253533	16415	Looper Thread Tension Releaser Operating Lever with 237F
237F	16415	Looper Thread Tension Releaser Operating Lever Set Screw
232515	16444	Looper Thread Tension Spring
1043C	16444	" " " Stud
171E	16444	" " " Set Screw
1560C	16444	" " " Thumb Nut
232516	16445	" " Tube (brass)
251622	16445	" " " Bracket (2)
190D	16445	" " " " Screw (2)
256056	16443	Lower Cord Leader
217E	16443	" " " Screw
253613	16443	" " " Tension Spring
590E	16443	" " " " " Screw (2)
32012	16445	" " Tension Disc (2)
232515	16445	" " " Spring
637C	16445	" " " Stud
1560C	16445	" " " Thumb Nut
232516	16445	" " Tube (brass)
250105	16348	Needle Bar Driving Crank with 200394C and two 200382C
40025	16348	Needle Bar Driving Crank Position Pin
200394C	16348	" " " " Set Screw
256183	16446	" Driving Bar with 620C

No.	Plate	Name
232177	16446	Needle Driving Bar Bushing
232176	16446	" " " Collar with 200083E
200083E	16446	" " " Pinch Screw
232178	16348	" " " Link
232709	16348	" " " " Hinge Stud with 222598
222598	16348	Needle Driving Bar Link Hinge Stud Oil Packing (wick)
200382C	16348	Needle Driving Bar Link Hinge Stud Set Screw
250108	16348	Needle Driving Bar Swivel with 248821
248821	16348	" " " " Oil Packing (wick)
256057	16443	Needle Guard
230E	16443	" " Screw
230E	16443	" " " (support end)
256180	16446	" Holder with 906F
201482D	16446	" " Gauge Plate Adjusting Screw
250112	16446	" " " " Block
201670C	16446	" " " " " Adjusting Nut
201670C	16446	" " " " " " "
		Lock Nut
256066	16446	Needle Holder Gauge Plate Block Bushing
181D	16446	" " " " " " "
		Screw (3)
256059	16446	Needle Holder Gauge Plate Body
256060	16446	" " " " Center Plate (for narrow bight)
350379D	16446	Needle Holder Gauge Plate Clamping Screw
1550J	16446	Needle Holder Gauge Plate Clamping Screw Nut
200118F	16446	Needle Holder Gauge Plate Screw (2)
256061	16446	" " " " Shim
256064	16446	" " " " Side Plate (left)
256062	16446	Needle Holder Gauge Plate Side Plate (right)
256063	16446	Needle Holder Gauge Plate (for narrow bight) complete, Nos. 256059, 256060, 256062, 256064, two each 1550J, 256061 and 350379D
208E	16446	Needle Holder Screw (2)
256181	16446	" " Slide
256068	16446	" " " Lever with 256069 and 351861
350147C	16446	Needle Holder Slide Lever Hinge Screw
351861	16446	" " " " Roller
256069	16446	" " " " Stud
256203	16446	" " " " Stud
350416E	16446	" " " " Screw

No.	Plate	Name
256204	16446	Needle Holder Slide Lever Stud Screw Washer
256184	16446	Needle Holder Slide Stud
620C	16446	" " " " Set Screw
253490	16443	" Loop Guard
240E	16443	" " " Screw
250117	16446	" Rotating Gear with 735E
250118	16446	" " " Key
735E	16446	" " " Set Screw
906F	16446	" Set Screw
249719	16452	" Thread Clamping Blade
256904	16452	" " Cutting Blade
256905	16453	" " " " Opening Lever
256906	16440	" " " " " " Cam Block
208E	16440	Needle Thread Cutting Blade Opening Lever Cam Block Screw
904C	16440	Needle Thread Cutting Blade Opening Lever Cam Block Support Screw
904C	16440	Needle Thread Cutting Blade Opening Lever Cam Block Support Screw Lock Screw
256907	16453	Needle Thread Cutting Blade Opening Lever Connection (front section)
256908	16453	Needle Thread Cutting Blade Opening Lever Connection (rear section)
201476C	16453	Needle Thread Cutting Blade Opening Lever Connection Ball Screw (2)
1550J	16453	Needle Thread Cutting Blade Opening Lever Connection Lock Nut
256909	16453	Needle Thread Cutting Blade Opening Lever Connection complete, Nos. 1550J, 256907 and 256908
940F	16453	Needle Thread Cutting Blade Opening Lever Hinge Screw
256910	16453	Needle Thread Cutting Blade Opening Lever (intermediate)
940F	16453	Needle Thread Cutting Blade Opening Lever (intermediate) Hinge Screw
256911	16453	Needle Thread Cutting Blade Opening Lever (intermediate) Spring
253512	16453	Needle Thread Cutting Blade Opening Lever (intermediate) Stop Washer
217E	16453	Needle Thread Cutting Blade Opening Lever (intermediate) Stop Washer Screw
256912	16453	Needle Thread Cutting Blade Opening Lever Operating Plate
230E	16453	Needle Thread Cutting Blade Opening Lever Operating Plate Screw

Firm the library of Damon Needle Corp

No.	Plate	Name
256913	16440	Needle Thread Cutting Blade Opening Lever Trip
251295	16440	Needle Thread Cutting Blade Opening Lever Trip Position Pin
208E	16440	Needle Thread Cutting Blade Opening Lever Trip Screw
237F	16452	Needle Thread Cutting Blade Screw
253436	16452	" " " " Shaft
249828	16452	" " " " " Crank with 906C
232344	16452	Needle Thread Cutting Blade Shaft Crank Position Pin
906C	16452	Needle Thread Cutting Blade Shaft Crank Set Screw
250119	16447	Needle Thread Guide
256931	16447	" " " Stud
256914	16447	" " " " Bracket with two 208D
208D	16447	Needle Thread Guide Stud Bracket Screw
208D	16447	" " " " Set Screw
232792	16447	" " Leader
1664E	16447	" " " Nut
253473	16447	" " Pull-off
256200	16447	" " " (adjustable)
1550J	16447	" " " " Lock Nut
253474	16447	" " " Guide
350196D	16447	" " " Screw Stud with 237F
1550J	16447	" " " " Nut
7071	16447	" " " " " Washer
237F	16447	" " " Set Screw
256070	16447	" " Take-up with 201374E and 201937
256072	16447	Needle Thread Take-up Bracket
256073	16447	" " " " Cover
1423F	16447	" " " " " Screw (4)
250399	16447	Needle Thread Take-up Bracket Position Pin
161D	16447	Needle Thread Take-up Bracket Screw (3)
256652	16447	" " " " Cam with two 457C
232721	16447	" " " " Position Pin
457C	16447	" " " " Set Screw
256075	16447	" " " " Shaft
232673	16447	" " " " " Gear with two 448C
40025	16447	Needle Thread Take-up Cam Shaft Gear Position Pin
448C	16447	Needle Thread Take-up Cam Shaft Gear Set Screw
350268C	16447	Needle Thread Take-up Hinge Screw
201873	16447	" " " " Roller

No.	Plate	Name
201937	16447	Needle Thread Take-up Roller 201873 with 201144E and 232686
201144E	16447	Needle Thread Take-up Roller Cap Screw
232686	16447	" " " " Stud
201374E	16447	" " " " " Cap Screw
256071	16447	" " " " Thread Guide
1423F	16447	" " " " " Screw (2)
32012	16447	" " Tension Disc (2)
991C	16412	" " " Releasing Adjusting Screw
1550J	16412	Needle Thread Tension Releasing Adjusting Screw Nut
256076	16447	Needle Thread Tension Releasing Arm
974F	16447	" " " " " Hinge Screw
256189	16412	Needle Thread Tension Releasing Block with 200E
200E	16412	Needle Thread Tension Releasing Block Set Screw
32572	16447	Needle Thread Tension Releasing Disc
256077	16412	" " " " " Lever
255010	16412	" " " " " Bracket
200346C	16412	" " " " " Adjusting Screw
145E	16412	Needle Thread Tension Releasing Lever Bracket Screw (lower)
200062H	16412	Needle Thread Tension Releasing Lever Bracket Screw (upper)
75D	16412	Needle Thread Tension Releasing Lever Hinge Screw
255011	16412	Needle Thread Tension Releasing Lever Spring
39635	16447	Needle Thread Tension Releasing Pin
256190	16412	" " " " " Rod
256191	16412	" " " " " Bracket
170D	16412	" " " " " Screw (2)
256020	16412	Needle Thread Tension Releasing Rod Plate
792D	16412	Needle Thread Tension Releasing Rod Plate Screw (2)
208E	16412	Needle Thread Tension Releasing Rod Screw
350399C	16447	Needle Thread Tension Stud
256185	16447	" " " " Spring
1560C	16447	" " " " Thumb Nut
250140	16348	" Vibrating Adjusting Link
741C	16348	" " " " Hinge Screw
350076C	16348	" " " " Stud
1671C	16348	" " " " Nut

for the library of Diamond Needle Corp

No.	Plate	Name
39532	16348	Needle Vibrating Adjusting Stud Sleeve
255126	16348	" " Bell Crank
250142	16348	" " " " Connection
*38444	-----	" " " " End Bearing (back)
38446	16348	Needle Vibrating Bell Crank Connection End Bearing 38444 with 42524, 50016C and two 175E
50016C	16348	Needle Vibrating Bell Crank Connection End Bearing (back) Ball Screw Stud
1636E	16348	Needle Vibrating Bell Crank Connection End Bearing (back) Ball Screw Stud Nut
*42524	-----	Needle Vibrating Bell Crank Connection End Bearing (back) Cap
175E	16348	Needle Vibrating Bell Crank Connection End Bearing (back) Cap Screw
1698C	16348	Needle Vibrating Bell Crank Connection End Bearing (back) Check Nut
*38443	-----	Needle Vibrating Bell Crank Connection End Bearing (front)
250143	16348	Needle Vibrating Bell Crank Connection End Bearing 38443 with 42525, 201449C and two 175E
201449C	16348	Needle Vibrating Bell Crank Connection End Bearing (front) Ball Screw
*42525	-----	Needle Vibrating Bell Crank Connection End Bearing (front) Cap
175E	16348	Needle Vibrating Bell Crank Connection End Bearing (front) Cap Screw
1697C	16348	Needle Vibrating Bell Crank Connection End Bearing (front) Check Nut
350282C	16348	Needle Vibrating Bell Crank Hinge Screw
256078	16368	" " Lever
256079	16368	" " " Hinge Stud
443C	16368	" " " " Set Screw
256178	16446	" " Ring with 462C
232421	16446	" " " Guide Stud
200083E	16446	" " " " Set Screw
232343	16446	" " " Position Pin
462C	16446	" " " Set Screw
256179	16446	" " Rod
250146	16446	" " " Guide with 1230E
232343	16446	" " " Position Pin
1230E	16446	" " " Set Screw
256080	16446	" " Switch
200308D	16446	" " Hinge Screw
256915	16448	Pattern Wheel, for 11/16 in. eye Square Bar (medium eye) Buttonhole with 256205 and two 205D

No.	Plate	Name
201668E	16445	Pattern Wheel Clamping Nut
256205	16448	" " Position Plate
205D	16448	" " " " Screw
250148	16445	" " " Stud
250372	16448	" " Rapid Feed Trip Point
203E	16448	" " " " " Screw
253528	16448	" " Ring (adjustable)
253529	16448	" " " 253528 with 211E, 250444, 253526, 253527 and 250221D
253526	16448	Pattern Wheel Ring Adjusting Segment (curved rise)
253527	16448	Pattern Wheel Ring Adjusting Segment (straight drop)
211E	16448	Pattern Wheel Ring Adjusting Segment Screw
250444	16448	Pattern Wheel Ring Adjusting Segment Screw Washer
350221D	16448	Pattern Wheel Ring Adjusting Segment Thumb Screw
391D	16448	Pattern Wheel Ring Screw
256916	16448	Pattern Wheel, for 11/16 in. eye Square Bar (medium eye) buttonhole, complete, Nos. 253529, 256915, two each 203E, 250372 and three 391D
251298	16445	Pattern Wheel Shaft with 250148
250150	16445	" " " Bevel Gear with 168D
49025	16445	" " " " Position Pin
168D	16445	" " " " Set Screw
250151	16445	" " " Bushing (left)
145E	16445	" " " " " Screw (2)
250152	16445	Pattern Wheel Shaft Bushing (right)
647E	16445	" " " " " Screw (2)
232600	16445	Pattern Wheel Shaft Collar with two 493C
453C	16445	" " " " Set Screw
250154	16445	Rapid Feed Clutch Disengaging Lever (3)
253481	16445	" " " " Sleeve
250156	16445	" " " Driving Disc
1230F	16445	" " " " " Screw (4)
201897	16445	" " " Roller (3)
255095	16445	" " " Carrier with 624E
40025	16445	" " " " Position Pin
624E	16445	" " " " Set Screw
250153	16445	" " " Retainer (3)
208E	16445	" " " " " Screw (3)
255096	16445	" " " Spring (3)
255097	16445	" " " " Guide Pin (3)
250158	16367	" " Crank Shaft
250159	16367	" " " Bushing (back)

From the library: Dairied Needle Corp.

No.	Plate	Name
250160	16367	Rapid Feed Crank Shaft Bushing (back) Oil Tube (lower) (brass)
250495	16367	Rapid Feed Crank Shaft Bushing (back) Oil Tube (upper) (brass)
250161	16367	Rapid Feed Crank Shaft Bushing (front)
436C	16367	" " " " " " Set Screw (2)
232600	16367	Rapid Feed Crank Shaft Collar with two 453C
453C	16367	Rapid Feed Crank Shaft Collar Set Screw
250452	16367	" " " " " Gear with 458C
232719	16367	" " " " " Position Pin
458C	16367	" " " " " Set Screw
202260	16367	" " " " " Oil Packing (wick) (2)
250163	16402	Rapid Feed Driving Gear
250398	16402	" " " " " Key
250164	16364	" " " " " Gear Guard
641D	16364	" " " " " Screw (2)
250534	16364	" " " " " Intermediate Gear (bronze)
201447C	16364	" " " " " Screw Stud
1510E	16364	" " " " " " " Nut
250167	16364	" " " " " " " " Washer
250405	16364	Rapid Feed Intermediate Gear Screw Stud Washer
252266	16372	Rapid Feed Slide Bar
250174	16372	" " " " " Bushing (left)
145E	16372	" " " " " " " Screw (2)
250175	16372	Rapid Feed Slide Bar Bushing (right)
647E	16372	" " " " " " " Screw (2)
252269	16372	Rapid Feed Slide Bar Collar with 448C
40025	16372	" " " " " " Position Pin
448C	16372	" " " " " " Set Screw
256065	16372	" " " " " Fork Connection with 889C
253538	16372	Rapid Feed Slide Bar Fork Connection Ex- tension Plate
176D	16372	Rapid Feed Slide Bar Fork Connection Ex- tension Plate Screw (2)
350321E	16372	Rapid Feed Slide Bar Fork Connection Position Screw
889C	16372	Rapid Feed Slide Bar Fork Connection Set Screw
350385C	16372	Rapid Feed Slide Bar Fork Connection Screw Stud
252306	16367	Rapid Feed Slide Bar Lock
252271	16367	" " " " " " Block

No.	Plate	Name
232055	16367	Rapid Feed Slide Bar Lock Block Position Pin
704E	16367	Rapid Feed Slide Bar Lock Block Screw
350262E	16367	" " " " " Hinge Screw
250409	16367	" " " " " Spring
1241E	16372	" " " " " " Screw Eye
250194	16367	" " " " " Trip
56C	16367	" " " " " " Hinge Screw
252273	16372	" " " " " Spring
350293E	16372	" " " " " Cap Screw
252274	16372	" " " " " Washer
250180	16421	" " Starting Latch
199C	16421	" " " " " Cap Screw
201446C	16421	" " " " " Hinge Screw Stud
250181	16421	" " " " " Lever with 1454E
255053	16421	" " " " " (operated by stop motion) with 704C, 1454E, 203213 and 255054
255064	16421	Rapid Feed Starting Lever Latch
350256C	16421	" " " " " Hinge Screw
255092	16421	Rapid Feed Starting Lever Latch Spring
217E	16421	" " " " " " " " Screw
7071	16421	Rapid Feed Starting Lever Latch Spring Screw Washer
253512	16421	Rapid Feed Starting Lever Latch Stop Washer
193D	16421	Rapid Feed Starting Lever Latch Stop Washer Screw
1330C	16407	Rapid Feed Starting Lever Operating Screw Stud
201445E	16421	Rapid Feed Starting Lever Position Screw (2)
1454E	16421	Rapid Feed Starting Lever Set Screw
250185	16421	" " " " " Shaft
250186	16421	" " " " " Collar (left) with 200113F
204197	16421	Rapid Feed Starting Lever Shaft Collar (right) with 200113F
200113F	16421	Rapid Feed Starting Lever Shaft Collar Set Screw
250409	16421	Rapid Feed Starting Lever Spring
1241E	16421	" " " " " " " Screw Eye
255054	16421	Rapid Feed Starting Lever Stud
704C	16421	" " " " " " Set Screw
203213	16421	Rapid Feed Starting Lever Stud Spring
253537	16367	" " " " " Pawl

From the library of: Diamond Needle Co.

No.	Plate	Name
253536	16367	Rapid Feed Starting Pawl Bell Crank with 202299
11C	16367	Rapid Feed Starting Pawl Bell Crank Hinge Screw
202299	16367	Rapid Feed Starting Pawl Bell Crank Oil Packing (wick)
250171	16367	Rapid Feed Starting Pawl Bell Crank Slide Block Section (2)
250172	16367	Rapid Feed Starting Pawl Guide
181D	16367	" " " " " Screw (2)
350260C	16367	" " " " " Hinge Screw
1655C	16367	" " " " " Nut
256177	16367	" " " " " Oiling Pad (felt)
181D	16367	" " " " " " Screw
9525	16367	" " " " " " Washer
250188	16367	Rapid Feed Starting Pawl Spring
201454E	16368	" " " " " " Screw Eye
1521E	16368	" " " " " " Nut
250189	16421	Rapid Feed Starting Trip Lever with 1454E
251623	16421	Rapid Feed Starting Trip Lever Overthrow Stop
350229E	16421	Rapid Feed Starting Trip Lever Overthrow Stop Screw
7071	16421	Rapid Feed Starting Trip Lever Overthrow Stop Screw Washer
201445E	16421	Rapid Feed Starting Trip Lever Position Screw
201437	16421	Rapid Feed Starting Trip Lever Screw Stud
1454E	16421	Rapid Feed Starting Trip Lever Set Screw
255123	16364	" " " " " Tripping Pawl
1410D	16364	" " " " " Cap Screw
255124	16364	" " " " " Lever
250432	16364	" " " " " " Bracket
232154	16364	" " " " " " Position Pin (2)
350110C	16364	Rapid Feed Tripping Pawl Lever Bracket Screw
14017	16364	Rapid Feed Tripping Pawl Lever Bracket Screw Washer
72C	16364	Rapid Feed Tripping Pawl Lever Hinge Screw
255167	16364	Rapid Feed Tripping Pawl Spring
250195	16367	" " " " " Worm with 453C
25362	16367	" " " " " Ball
250196	16367	" " " " " Bearing Cup
225007	16367	" " " " " Retainer with eight 25362

No.	Plate	Name
232244	16367	Rapid Feed Worm Position Pin
453C	16367	" " " " " Set Screw
250197	16445	" " " " " Wheel
250198	16445	" " " " " Collar with two 453C
453C	16445	" " " " " " Set Screw
202244	16445	" " " " " Oil Packing (wick)
255138	16409	Starting Bell Crank with 201160E
350291C	16409	" " " " " Hinge Screw
256196	16409	" " and Retaining Latch with 201160E
255136	16409	" " " " " Crank with 209F and 1819
2269	16409	Starting and Retaining Latch Crank Position Pin
1819	16409	Starting and Retaining Latch Crank Roller and Stud
209F	16409	Starting and Retaining Latch Crank Set Screw
255157	16409	Starting and Retaining Latch Spring
201160E	16409	" " " " " " Screw Eye (2)
255158	16405	Starting and Retaining Latch Tripping Block
235404	16405	Starting and Retaining Latch Tripping Block Pin
183C	16405	Starting and Retaining Latch Tripping Block Screw
253476	16441	Starting Rod
250203	16441	" " " " " Block with 203E
2273	16441	" " " " " Position Pin
203E	16441	" " " " " Set Screw
40043	16441	" " " " " Collar with 209C (2)
209C	16441	" " " " " Set Screw
250204	16441	" " " " " Lock
946D	16441	" " " " " Hinge Screw
250205	16441	" " " " " Spring
213D	16441	" " " " " Screw
250206	16441	" " " " " " Washer
250207	16441	" " " " " Safety Lock
38D	16441	" " " " " Hinge Screw
226467	16441	" " " " " " Washer
250423	16441	" " " " " Spring
201160E	16441	" " " " " Screw Eye
250210	16368	Stitch Regulating Gear, 22 teeth
250211	16368	" " " " " 26 teeth
250212	16368	" " " " " 28 teeth
250598	16368	" " " " " 30 teeth
250213	16368	" " " " " 33 teeth
250214	16368	" " " " " 34 teeth

Note: Nos. 250214 is furnished with this machine unless another Stitch Regulating Gear is specified on order.

No.	Plate	Name
250415	16368	Stitch Regulating Gear, 38 teeth
250478	16368	" " " 42 teeth
201660C	16368	" " " Lock Nut
256081	16451	" Rotating Lever (lower) with 458C
201442C	16451	" " " " Position Screw
351862	16451	" " " " Roller
350378C	16451	" " " " " Screw
		Stud
201666E	16451	Stitch Rotating Lever (lower) Roller Screw Stud Nut
458C	16451	Stitch Rotating Lever (lower) Set Screw
232591	16451	" " " (upper) with 448C
40025	16451	" " " " Position Pin
448C	16451	" " " " Set Screw
232807	16451	" " " " Connection (front section) (lower)
232593	16451	Stitch Rotating Lever Connection (front section) (upper)
232808	16451	Stitch Rotating Lever Connection (rear section) (lower)
232592	16451	Stitch Rotating Lever Connection (rear section) (upper)
58F	16451	Stitch Rotating Lever Connection Hinge Screw (4)
172D	16451	Stitch Rotating Lever Connection Screw (lower)
39504	16451	Stitch Rotating Lever Connection Screw Washer (lower)
193D	16451	Stitch Rotating Lever Connection Screw (upper)
232717	16451	Stitch Rotating Lever Connection Screw Washer (upper)
232764	16451	Stitch Rotating Lever Connection (lower) complete, Nos. 232807, 232808, two each 172D and 39504
250400	16451	Stitch Rotating Lever Connection (upper) complete, Nos. 232592, 232593, 232717 and two 193D
250394	16451	Stitch Rotating Lever Rock Shaft
253449	16451	" " " Sector (lower)
232597	16451	" " " " Bracket
690D	16451	" " " " " Screw
226163	16451	" " " " " " Washer
350087C	16451	Stitch Rotating Sector (lower) Hinge Screw
253450	16451	Stitch Rotating Sector (upper)
232599	16451	" " " " " Bracket
201395D	16451	" " " " " " Screw

(2)

No.	Plate	Name
232600	16451	Stitch Rotating Sector (upper) Position Collar with two 453C
453C	16451	Stitch Rotating Sector (upper) Position Collar Set Screw
251026	16363	Stop Lever with 200352C
232262	16363	" " Bracket
350263E	16363	" " " Screw
250218	16363	" " Crank with 453C
40025	16363	" " " Position Pin
453C	16363	" " " Set Screw
232263	16363	" " Friction Pad (rawhide)
200110D	16363	" " " " Screw (2)
255169	16363	" " Interlocking Slide
201084C	16363	" " " " Adjusting Screw
201628E	16363	Stop Lever Interlocking Slide Adjusting Screw Nut
1179D	16363	Stop Lever Interlocking Slide Screw
232265	16363	" " " " " Washer
250416	16363	" " " " " Spring
250219	16365	" " Link
250220	16365	" " " Connection
250221	16365	" " " " Locking Pin
250222	16365	" " " " " " Spring
217D	16365	" " " " " " " Screw (2)
350225D	16365	Stop Lever Link Connection Screw (back)
807D	16365	" " " " " (front)
64C	16365	" " " Hinge Screw
250223	16365	" " Operating Lever
11C	16365	" " " " Hinge Screw
250224	16365	" " " Plate
157D	16365	" " " " Screw
39541	16365	" " " " " Washer
201442C	16363	" " Position Screw
200352C	16363	" " Set Screw
250225	16363	" " Shaft
255170	16363	" " Spring
201110D	16363	" " " Screw
256917	16443	Throat Plate
250447	16443	" " Adjusting Block
176D	16443	" " Screw
250560	16443	" " " Washer
*256083	16368	Vertical Shaft with two each 204648 and 250589
256201	16368	Vertical Shaft 256083 with 232719 and 255522
255522	16368	Vertical Shaft Bevel Gear (lower) with two 453C
232719	16368	Vertical Shaft Bevel Gear (lower) Posi- tion Pin

From the library of: Diamond Needle Corp

No.	Plate	Name
256084	16368	Vertical Shaft Bevel Gear (upper) with two 453C
40025	16368	Vertical Shaft Bevel Gear (upper) Position Pin (2)
453C	16368	Vertical Shaft Bevel Gear Set Screw
250396	16368	" " Bushing (lower)
200100E	16368	" " " " Screw (2)
256085	16368	" " " (upper)
575C	16368	" " " " Set Screw
256918	16453	Work Clamp Arm (left)
253718	16454	" " " (right)
256919	16453	" " " Bracket (left)
256920	16453	" " " " 256919 with 250268, 250551, 250552, 253666 and three 2269
250526	16454	Work Clamp Arm Bracket (right)
255058	16454	" " " " 250526 with 250266, 250528, 250529, 253666 and three 2269
201129D	16453	Work Clamp Arm Bracket Screw (back)
253666	16453	" " " Cam with 209F
2269	16453	" " " " Position Pin
209F	16453	" " " " Set Screw
250552	16453	" " " " Shaft (left)
250528	16454	" " " " (right)
201237E	16453	" " " " Stop Screw
201537H	16453	" " " " " Nut
252184	16453	" " " " Hinge Block
350123E	16453	" " " " " Hinge Screw
200051E	16453	" " " " Screw
13218	16453	" " " " Spring
350136E	16453	" " " " Screw
256086	16453	" " " Base (left) with 251619
256921	16453	" " " " 256086 with 194C, 230E 792D, 991E, 1423F, 1443F, 1550J, 7071, 10249, 13218, 200051E, 200097C, 201237E, 201537H, 250241, 250418, 250419, 251518, 251519, 252184, 252202, 253498, 253512, 253723, 255003, 255016, 255162, 256905, 256909 to 256912, 256918, 256920, 256925, 256929, 350080D, 350136E, two each 207F, 217E, 940F, 201129D, 201476C, 228026, 350123E and nine 934H
255162	16453	Work Clamp Base (left) Guard
934H	16453	" " " " " Screw
256087	16454	" " " (right) with 251619

No.	Plate	Name
256922	16454	Work Clamp Base (right) 256087 with 792D 991E, 1423F, 1443F, 1550J, 13218, 200051E, 201237E, 201537H, 228026, 232270 to 232272, 250242, 250275, 252184, 252202, 253499, 253718, 253723, 255003, 255016, 255058, 255163, 256923, 256930, 350136E, two each 200186B, 201129D, 350123E, four 207F and nine 934H
255163	16454	Work Clamp Base (right) Guard
934H	16454	" " " " " Screw
253498	16453	" " " Clamping Plate (left)
253499	16454	" " " " (right)
934H	16453	" " " " " Screw
251619	16453	" " " Hinge Stud
250439	16455	" " " Retaining Stud
250241	16453	" " " Spring (left)
250242	16454	" " " " (right)
1443F	16453	" " " " Screw
201451E	16455	" " " " " Stud (2)
232309	16455	" " " " Stop Block (2)
232310	16455	" " " " " Position Pin (2)
201148H	16455	" " " " " Screw (2)
256021	16455	" " " Carrier Base Plate with 250439
256040	16455	" " " " " Extension
934H	16455	" " " " " " Screw (2)
256022	16428	Work Clamp Carrier Base Plate Slide Rod
201643E	16428	" " " " " " " Nut (2)
250095	16428	Work Clamp Carrier Base Plate Slide Rod Position Pin
200119D	16428	Work Clamp Carrier Base Plate Slide Rod Set Screw
250244	16442	Work Clamp Carrier Feed Lever
350185C	16442	" " " " " Hinge Screw
250245	16442	" " " " " Link
250246	16442	" " " " " " Block
50168E	16442	" " " " " " " Screw (2)
350070C	16442	Work Clamp Carrier Feed Lever Link Hinge Screw (block end)
350216C	16442	Work Clamp Carrier Feed Lever Link Hinge Screw (lever end)
351863	16442	Work Clamp Carrier Feed Lever Roller
351864	16442	" " " " " " 351863 with 256088 and 350072E
350072E	16442	Work Clamp Carrier Feed Lever Roller Cap Screw
256088	16442	Work Clamp Carrier Feed Lever Roller Stud

No.	Plate	Name
255076	16442	Work Clamp Carrier Feed Lever Roller Stud Washer
250248	16371	Work Clamp Carrier Side Throw Lever (lower section) with 201097C and 201530E
*256186	-----	Work Clamp Carrier Side Throw Lever (upper section)
256187	16371	Work Clamp Carrier Side Throw Lever (upper section) 256186 with 201374E, 256188, 351866 and two 1176D
*256188	-----	Work Clamp Carrier Side Throw Lever Extension
1176D	16371	Work Clamp Carrier Side Throw Lever Extension Screw
250599	16371	Work Clamp Carrier Side Throw Lever Hinge Stud
250600	16371	Work Clamp Carrier Side Throw Lever Hinge Stud Collar with two 448C
448C	16371	Work Clamp Carrier Side Throw Lever Hinge Stud Collar Set Screw
435C	16371	Work Clamp Carrier Side Throw Lever Hinge Stud Set Screw
250250	16371	Work Clamp Carrier Side Throw Lever Lock Pin with 201940 and 350072E
201940	16371	Work Clamp Carrier Side Throw Lever Lock Pin Roller
350072E	16371	Work Clamp Carrier Side Throw Lever Lock Pin Roller Cap Screw
201430C	16371	Work Clamp Carrier Side Throw Lever Lock Pin Screw Stud
250251	16371	Work Clamp Carrier Side Throw Lever Lock Pin Spring
191C	16371	Work Clamp Carrier Side Throw Lever Lock Pin Spring Screw (2)
351865	16371	Work Clamp Carrier Side Throw Lever Roller
351866	16371	Work Clamp Carrier Side Throw Lever Roller 351865 with 201144E and 256090
201144E	16371	Work Clamp Carrier Side Throw Lever Roller Cap Screw
256090	16371	Work Clamp Carrier Side Throw Lever Roller Stud
201374E	16371	Work Clamp Carrier Side Throw Lever Roller Stud Cap Screw
232321	16371	Work Clamp Carrier Side Throw Lever Slide Block
250252	16455	Work Clamp Carrier Side Throw Lever Slide Block Guide
231C	16455	Work Clamp Carrier Side Throw Lever Slide Block Guide Screw (3)
201097C	16371	Work Clamp Carrier Side Throw Lever Slide Block Screw Stud

No.	Plate	Name
201530E	16371	Work Clamp Carrier Side Throw Lever Slide Block Screw Stud Nut
256023	16428	Work Clamp Carrier Slide (left) with 200119D
256024	16428	Work Clamp Carrier Slide (right) with 200119D
255509	16428	Work Clamp Carrier Slide Gib (left, back)
253683	16428	" " " " " (left, front)
255511	16428	" " " " " (right, back)
255512	16428	" " " " " (right, front)
50168E	16428	Work Clamp Carrier Slide Gib Screw
256025	16428	" " " " Stay Plate
256026	16428	" " " " " " Lock Washer
350369E	16428	Work Clamp Carrier Slide Stay Plate Lock Washer Screw
250597	16428	Work Clamp Carrier Slide Stay Plate Position Pin (2)
231C	16428	Work Clamp Carrier Slide Stay Plate Screw (5)
256923	16454	Work Clamp Check (right)
256924	16452	" " " (thread cutting) with 232806
256925	16452	Work Clamp Check 256924 with 208E, 237F, 232344, 249719, 249828, 253436, 256904 and 256926 to 256928
253723	16453	Work Clamp Check Hinge Pin
256926	16452	" " " Thread Clamping Section
232806	16452	" " " " " Position Pin
208E	16452	Work Clamp Check Thread Clamping Section Screw
256927	16452	Work Clamp Check Thread Clamping Section Separator Plate
256928	16452	Work Clamp Check Thread Cutting Blade
252194	16407	" " Closing Lever
250266	16454	" " " " (hand) with 209F
2269	16454	" " " " " Position Pin
209F	16454	" " " " " Set Screw
252196	16407	" " " " " Adjusting Arm with 201531H, 201948 and 228026
1178D	16407	Work Clamp Closing Lever Adjusting Arm Screw
14017	16407	Work Clamp Closing Lever Adjusting Arm Screw Washer
255021	16405	Work Clamp Closing Lever Cam Groove Protector
210750	16405	Work Clamp Closing Lever Cam Groove Protector Position Pin
172D	16405	Work Clamp Closing Lever Cam Groove Protector Screw

No.	Plate	Name
255153	16405	Work Clamp Closing Lever Disengaging Block
183C	16405	Work Clamp Closing Lever Disengaging Block Screw
250406	16405	Work Clamp Closing Lever Disengaging Block Shim (.005 in.thick)
250407	16405	Work Clamp Closing Lever Disengaging Block Shim (.010 in.thick)
256197	16407	Work Clamp Closing Lever Engaging Stud
255141	16409	" " " " " "
		Latch
255161	16409	Work Clamp Closing Lever Engaging Stud Latch Spring
1241E	16409	Work Clamp Closing Lever Engaging Stud Latch Spring Screw Eye
256199	16348	Work Clamp Closing Lever Engaging Stud Lock Plate
200076D	16348	Work Clamp Closing Lever Engaging Stud Lock Plate Screw
7071	16348	Work Clamp Closing Lever Engaging Stud Lock Plate Screw Washer
256198	16407	Work Clamp Closing Lever Engaging Stud Sleeve
232105	16407	Work Clamp Closing Lever Engaging Stud Sleeve Pin
255143	16407	Work Clamp Closing Lever Engaging Stud Spring
256209	16407	Work Clamp Closing Lever Engaging Stud 256197 with 232105 and 256198
*255144	-----	Work Clamp Closing Lever Engaging Stud Wear Plate
210750	16405	Work Clamp Closing Lever Engaging Stud Wear Plate Position Pin
183C	16405	Work Clamp Closing Lever Engaging Stud Wear Plate Screw
350407C	16407	Work Clamp Closing Lever Hinge Screw
201729C	16407	" " " " " " Nut
201947	16407	" " " " Roller
201948	16407	" " " " " 201947 with 350156E
350156E	16407	Work Clamp Closing Lever Roller Screw Stud
201531H	16407	Work Clamp Closing Lever Roller Screw Stud Nut
228026	16407	Work Clamp Closing Lever Roller Screw Stud Washer
991C	16441	Work Clamp Closing Lever Stop Screw
250268	16453	" " Connection Lever (left) with 209F
250529	16454	Work Clamp Connection Lever (right) with 209F

No.	Plate	Name
2269	16453	Work Clamp Connection Lever Position Pin
209F	16453	" " " " Set Screw
250270	16451	" " Opening Bell Crank with 1819
659D	16451	" " " " " Hinge Screw
1819	16451	" " " " " Roller and Stud
232200	16451	Work Clamp Opening Bell Crank Spring
1241E	16451	" " " " " " Screw Eye
253680	16405	Work Clamp Opening Cam with 462C
12509	16405	" " " " Position Pin
462C	16405	" " " " Set Screw
250551	16453	" " " Lever with 1253C
251519	16453	" " " " Latch
253679	16451	Work Clamp Opening Lever Latch Releasing Bracket with 200E, 1547J and 350218C
200E	16451	Work Clamp Opening Lever Latch Releasing Bracket Set Screw
350218C	16451	Work Clamp Opening Lever Latch Releasing Screw
1547J	16451	Work Clamp Opening Lever Latch Releasing Screw Check Nut
10249	16453	Work Clamp Opening Lever Latch Spring
217E	16453	" " " " " " Screw
7071	16453	" " " " " " Washer
194C	16453	Work Clamp Opening Lever Latch Stop Screw
2269	16453	Work Clamp Opening Lever Position Pin
1253C	16453	" " " " Set Screw
255077	16451	" " " Rod
255079	16451	Work Clamp Opening Rod complete, Nos.203C 1662C, 250287, 253679, 255077 and 255078
255078	16451	Work Clamp Opening Rod Connection
807D	16451	" " " " Hinge Screw
253465	16451	" " " " Guide with 808D
808D	16451	" " " " Pinch Screw
1662C	16451	" " " " Nut
250275	16454	" " " Stop (adjustable)
207F	16454	" " " " Screw
256030	16455	" " Spreader (front)
256031	16455	" " " Adjusting Block (left)
256032	16455	Work Clamp Spreader (front) Adjusting Block (right)
256033	16455	Work Clamp Spreader (front) Adjusting Block Lever (left)
256034	16455	Work Clamp Spreader (front) Adjusting Block Lever (right)
201463D	16455	Work Clamp Spreader (front) Adjusting Block Lever Hinge Screw (2)

No.	Plate	Name
251202	16455	Work Clamp Spreader (front) Adjusting Block Lever Spring
203E	16455	Work Clamp Spreader (front) Adjusting Block Screw (2)
7071	16455	Work Clamp Spreader (front) Adjusting Block Screw Washer (2)
256035	16455	Work Clamp Spreader (front) Connection
99C	16455	Work Clamp Spreader (front) Connection Hinge Screw (2)
256036	16455	Work Clamp Spreader (front) Lever
940F	16455	" " " " " Hinge Screw
256037	16455	Work Clamp Spreader (front) Strap
190D	16455	" " " " " Screw (2)
250276	16455	Work Clamp Spreader (left)
350140D	16455	" " " " Screw
256027	16455	" " " (right)
201463D	16455	" " " Screw
991E	16453	" " " Adjusting Screw
252202	16453	" " " " " Bracket
207F	16453	" " " " " " Screw
1550J	16453	Work Clamp Spreader Adjusting Screw Nut
256028	16455	" " " Base Plate
256029	16455	" " " " " Retaining Block (2)
1454E	16455	Work Clamp Spreader Base Plate Retaining Block Screw (4)
50058D	16455	Work Clamp Spreader Base Plate Screw (2)
253505	16455	" " " Connection
253506	16455	" " " " " Bracket with 201981
1981	16455	Work Clamp Spreader Connection Bracket Roller
201981	16455	Work Clamp Spreader Connection Bracket Roller 1981 with 253524
253524	16455	Work Clamp Spreader Connection Bracket Roller Stud
208E	16455	Work Clamp Spreader Connection Bracket Screw (2)
201453C	16455	Work Clamp Spreader Connection Hinge Screw
250281	16455	Work Clamp Spreader Connection Link (left)
253507	16455	Work Clamp Spreader Connection Link (right)
201452E	16455	Work Clamp Spreader Connection Link Hinge Screw (2)

No.	Plate	Name
256038	16455	Work Clamp Spreader Operating Fork Lever
212D	16455	" " " " " " " Cap Screw
350138E	16455	Work Clamp Spreader Operating Fork Lever Hinge Screw
255081	16455	Work Clamp Spreader Operating Fork Lever Stop Plate
203E	16455	Work Clamp Spreader Operating Fork Lever Stop Plate Screw
7071	16455	Work Clamp Spreader Operating Fork Lever Stop Plate Screw Washer
250285	16407	Work Clamp Spreader Operating Pawl
252512	16407	" " " " " Adjusting Block
176D	16407	Work Clamp Spreader Operating Pawl Adjusting Block Screw
7071	16407	Work Clamp Spreader Operating Pawl Adjusting Block Screw Washer
172E	16407	Work Clamp Spreader Operating Pawl Adjusting Screw
201669E	16407	Work Clamp Spreader Operating Pawl Adjusting Screw Nut
741C	16407	Work Clamp Spreader Operating Pawl Hinge Screw
250286	16407	Work Clamp Spreader Operating Pawl Spring
201314C	16407	Work Clamp Spreader Operating Pawl Stop Screw
252513	16407	Work Clamp Spreader Operating Pawl complete, Nos. 176D, 7071, 250285 and 252512
250287	16411	Work Clamp Spreader Releaser
203C	16411	" " " " " Screw
201314C	16455	" " " " " Screw Stud (2)
255003	16453	" " " Spring
255016	16453	" " " " " Wear Plate
792D	16453	" " " " " " Screw
256929	16453	" " " " " Position Gauge (left)
256930	16454	" " " " " (right)
1423F	16453	" " " " " Screw
228026	16453	" " " " " Washer

ACCESSORIES

No.	Plate	Name
253548	16439	Buttonhole Cutting Block (steel), 1 1/16 in. eye
253516	16439	Buttonhole Cutting Knife (.100 x .157 eye)
249719	16452	Needle Thread Clamping Blade
256904	16452	" " Cutting Blade
250415	16368	Stitch Regulating Gear, 38 teeth
142 x 1	16446	Needles, six, size 15
250004	16382	Bed Cushion (leather) (back)
250006	16382	" " " (front)
250007	16382	" " (fibre) (inside)
250008	16382	" " " (outside)
158E	16382	" " Screw
250018	16382	" Support (left) with 250004, 250006, 250008, two 250007 and six 158E
250019	16382	Bed Support (right) with 250004, 250006, 250008, two 250007 and six 158E
250288	16383	Drip Pan
250408	16382	Machine Rest (high) with 232982 and two wood screws 1 in., No. 12
232982	16382	Machine Rest Cushion (leather)
120346	16382	Oiler (copper plated) with 120347
120347	16382	" Spout (8-1/2 in. long)
11831	16383	Screw Driver (5 in. blade) (machine, large)
255542	16383	" " (8 in. blade)
*250521	-----	" " Blade
*225483	-----	" " Handle
250522	16383	Screw Driver complete (for needle set screw), Nos. 225483 and 250521
250543	16383	Stitch Regulating Gear Holder
232486	16382	Threader Wire (large)
250412	16382	" " (small)
255513	16382	Tweezers
23535	16383	Wrench, for 1671, 1697 and 1698
232900	16383	" " 201362 and 201668
232935	16383	" " 201670 and 201722 (2)
250289	16382	" " 350111
255533	16382	" " 201442 and 201445
255539	16383	" " 1550 and 350136
255540	16383	" " 201524 and 201643
255541	16383	" " 201628 and 201660
256019	16383	" " 201727 and 201728 (2)
		Wood Screw 1-1/4 in., No. 12 (4)

THREAD UNWINDER

FOR THREE SPOOLS

No.	Plate	Name
259370	16385	Spool Pin
225375	16385	" " (wood)
259378	16385	" " Arm with 217E and 259379
232896	16385	" " " Bracket with two 448C
448C	16385	" " " Set Screw
448C	16385	" " " Set Screw
259371	16385	" " Cap (Bakelite)
1010F	16385	" " " Hinge Screw
259379	16385	" " Retaining Spring
259372	16385	" " Washer
259373	16385	Spool Pin complete, Nos. 1010F and 259370 to 259372
259374	16385	Spool Rest (for one spool) (flat) with 201018C
259375	16385	Spool Rest (for two spools) (flat) with 201018C
150203	16385	Spool Rest Cushion (felt)
250453	16385	" " Rod (lower)
225388	16385	" " " (upper)
250454	16385	" " " Coupling with two 456C
456C	16385	" " " Set Screw
200383C	16385	" " " Set Screw
201018C	16385	" " Set Screw
217E	16385	" Screw
202490	16385	" Stand with 200383C
225390	16385	Thread Cone Holder
250472	16385	" Cop Holder
225391	16385	" Guide
201696J	16385	" " Lock Nut
225326	16385	" " Position Cup
350192J	16385	" " Screw Stud
225393	16385	" " " Washer
200164B	16385	" " Stud Set Screw
225376	16385	Thread Unwinder complete, Nos. 200164B, 201696J, 202490, 225326, 225388, 225393, 250453, 250454, 250472, 259374, 259375, 350192J, three each 150203, 225375, 225390, 225391, 232896, 259373, 259378 and wood screws 7/8 in., No. 12

DRIVING EQUIPMENT

No.	Plate	Name
228628	16388	Belt (gilt edge), size 5/16 in. diam., length 83 in., with two 25029
228629	16391	Belt (gilt edge), size 3/8 in. diam., length 57 in., with 25030
228630	16395	Belt (gilt edge), size 3/8 in. diam., length 120 in., with two 25030
228631	16388	Belt (gilt edge), size 3/8 in. diam., length 133 in., with two 25030
228608	16389	Belt Guard, for Bridgeport Old Style Power Table (trough) and Singer Universal Power Table (trough) with two wood screws 3/4 in., No. 10
228610	16390	Belt Guard, for E'port Old Style Power Table (trough), with two wood screws 3/4 in., No. 10
25029	16388	Belt Hook
25030	16388	" "
228565	16387	" Shifter
228566	16387	" " Lever with 200526C
228567	16387	" " " Hinge Stud
200335C	16387	" " " " " Set Screw
228632	16387	" " Locking Spring
200526C	16387	" " Set Screw
228618	16386	Buttonhole Cutter Driving Pulley, 4-5/8 in. diam., with 200342C and 200347C
228619	16386	Buttonhole Cutter Driving Pulley Driving Pinion, 16 teeth, with 454C
2117E	16386	Buttonhole Cutter Driving Pulley Driving Pinion Pin
454C	16386	Buttonhole Cutter Driving Pulley Driving Pinion Set Screw
200342C	16386	Buttonhole Cutter Driving Pulley Position Screw
200347C	16386	Buttonhole Cutter Driving Pulley Set Screw
228579	16386	Buttonhole Cutter Driving Pulley Shaft
228580	16386	" " " " "
		Bushing with 224392
224392	16386	Buttonhole Cutter Driving Pulley Shaft Bushing Oil Packing (wick)
350028C	16386	Buttonhole Cutter Driving Pulley Shaft Bushing Set Screw
228620	16386	Buttonhole Cutter Driving Pulley Shaft Gear, 48 teeth, with 448C
2117E	16386	Buttonhole Cutter Driving Pulley Shaft Gear Pin
448C	16386	Buttonhole Cutter Driving Pulley Shaft Gear Set Screw

No.	Plate	Name
228593	16387	Counter Shaft (hollow) with 200370C and 228595
210833	16387	Counter Shaft Collar with two 200383C
200383C	16387	" " " Set Screw
228590	16387	" " Driving Pulley (loose), 5 in. diameter
228591	16387	Counter Shaft Driving Pulley (tight), 5 in. diam., with 200352C and 200363C
200352C	16387	Counter Shaft Driving Pulley Position Screw
200363C	16387	Counter Shaft Driving Pulley Set Screw
223601	16387	" " Hanger with 200335C and 202244
228588	16387	Counter Shaft Hanger Belt Guard (double)
200002E	16387	" " " " " Screw
202244	16387	" " " Oil Packing (wick)
51080E	16387	" " " Screw
51046E	16387	" " " " "
41125	16387	" " " " Washer
228602	16387	" " Oil Cup
228594	16387	" " " Packing Wick
228595	16387	" " " " " Wire with 228594
200370C	16387	Counter Shaft Oil Stop Screw
228592	16387	" " Pulley, 5-7/8 in. diam., with 200352C and 200363C
200352C	16387	Counter Shaft Pulley Position Screw
200363C	16387	" " " Set Screw
228596	16387	Counter Shaft Hanger complete, for Old Style Power Table and Singer Universal Power Table, Nos. 51080E, 200002E, 210833, 228565 to 228567, 228588, 228590 to 228593, 228601, 228602, 228632, two 51046E and three 41125
228573	16386	Driving Attachment Belt Guard with 228607
228607	16386	Driving Attachment Belt Guard Drain Valve
50075J	16386	Driving Attachment Belt Guard Thumb Screw
228574	16386	Driving Attachment Bracket with 11119, 228575 and four 350028C
228575	16386	Driving Attachment Bracket Oil Cup
15783	16386	" " " " Tube
11119	16386	" " " " " 15783
		with 52045
52045	16386	Driving Attachment Bracket Oil Tube Packing (cotton)
51046E	16386	Driving Attachment Bracket Screw
41125	16386	" " " " Washer

Digitized by the Library of Diamond Needle Corp.

ACCESSORIES

No.	Plate	Name
228624	16386	Driving Pulley, 6 in. diam., with 200374C and 200396C
200396C	16386	Driving Pulley Position Screw
200374C	16386	" " Set Screw
228625	16386	" " Shaft
228571	16386	" " " Bushing with 202260
202260	16386	" " " " Oil Packing (wick)
350028C	16386	Driving Pulley Shaft Bushing Set Screw
228626	16386	" " " Collar with two 200378C
200378C	16386	Driving Pulley Shaft Collar Set Screw
228621	16386	Machine Driving Pulley (loose), 3-1/8 in. diameter
228622	16386	Machine Driving Pulley Clutch
214179	16386	" " " " Roller
214181	16386	" " " " Spring
214180	16386	" " " " Plunger
200050C	16386	Machine Driving Pulley Clutch Screw
228623	16386	" " " Collar with two 200364C
200364C	16386	Machine Driving Pulley Collar Set Screw
228627	16386	Driving Attachment complete, Nos. 50075J, 228573, 228574, 228579, 228580, 228618 to 228626, two each 2117E, 228571, three each 41125, 51046E, 200050C and 214179 to 214181
228578	16386	Driving Attachment and Idler complete, Nos. 228587 and 228627
234342	16388	Front Plank Extension (back) with two wood screws 1-1/2 in., Nos. 10 (for flat table)
234349	16395	Front Plank Extension (back) with four wood screws 1-1/2 in., Nos. 10, for Singer Universal Safety Power Table (flat)
234350	16396	Front Plank Extension (back) with six wood screws 1-1/2 in., No. 10, for Singer Universal Safety Power Table (trough)
234344	16388	Front Plank Extension (front) with two wood screws 2-1/4 in., Nos. 12 and three wood screws 1-3/4 in., No. 12
228581	16386	Idler Pulley
228643	16386	" " Belt Guard with 200526C
200526C	16386	" " " Set Screw

ACCESSORIES

No.	Plate	Name
228644	16386	Idler Pulley Bracket with 200526C
200019E	16386	" " " Screw
228584	16386	" " Shaft with 228586
228602	16386	" " " Oil Cup
228585	16386	" " " Wick
228586	16386	" " " Wire with 228585
200526C	16386	" " " Set Screw
228587	16386	Idler complete, Nos. 228584, 228602, 228644 two each 228581, 228643 and three 200019E
27068	16388	Shaft Pulley (sectional, grooved), 8 in. diam., 1-3/16 in. bore, with two 597C
597C	16388	Shaft Pulley Clamping Screw
150027	16394	Starting Device Bracket with two wood screws 1-1/4 in., No. 14
150028	16394	Starting Device Handle
27638	16394	" " " Spring
23250	16394	" " " Washer
126888	16394	" " " Collar with 217F
217F	16394	Starting Device Handle Spring Collar Set Screw
126955	16394	Starting Device Rod
126888	16394	" " " Collar with 217F
217F	16394	" " " Set Screw
126890	16394	Starting Device complete, Nos. 27638, 126955, 150027, 150028 two 23250 and three 126888
150183	16394	Table Belt Guide Bracket with 795C
50285R	16394	" " " Bolt
126841	16394	" " " Clamping Plate
126846	16394	" " " Nut Lock Washer
12620	16394	Table Belt Guide Bracket Bolt Washer
126750	16394	" " " Pulley with 126752
126868	16394	" " " Shaft
126752	16394	" " " Bushing
126869	16394	" " " Collar with 1448C
1448C	16394	Table Belt Guide Pulley Shaft Collar Set Screw
795C	16394	Table Belt Guide Pulley Shaft Set Screw
150184	16394	" " " Support Bracket with two wood screws 1 in., No. 12, F.H.
126870	16394	Table Belt Guide complete, Nos. 12620, 50285R, 126841, 126846, 126868, 150183, 150184, two each 126750 and 126869
126715	16395	Transmitter Pulley (sectional, grooved), sheet metal, 5-1/4 in. diameter

From the library of the National Archives and Records Administration

No.	Plate	Name
228599	16388	Driving Equipment complete, for Old Style or Singer Universal Power Table (flat), Nos. 27068, 228578, 228596, 228628, 228631, 234342, 234344 and blue print template
228605	16391	Driving Equipment complete, for Individual Motor Table, Nos. 228627 to 228629
228609	16389	Driving Equipment complete, for Bridgeport Old Style Power Table (trough) or Singer Universal Power Table (trough), Nos. 27068, 228578, 228596, 228608, 228628, 228631, 234344 and blue print template
228611	16390	Driving Equipment complete, for E'port Old Style Power Table (trough), Nos. 27068, 228578, 228596, 228610, 228628, 228631, 234344 and blue print template
228612	16392	Driving Equipment complete, for Power Table (flat) with Electric Transmitter Motor, Nos. 228627 to 228629, 234342, 234344 and blue print template
228613	16393	Driving Equipment complete, for E'port Power Table (trough) with Electric Transmitter Motor, Nos. 228610, 228627 to 228629, 234344 and blue print template
228645	16395	Driving Equipment complete, for Singer Universal Safety Power Table (flat) Nos. 126715, 126870, 126890, 228627, 228628, 228630, 234349 and blue print template
228646	16396	Driving Equipment complete, for Singer Universal Safety Power Table (trough) Nos. 126715, 126870, 126890, 228627, 228628, 228630, 234350 and blue print template

PATTERN WHEELS

256916	16448	Pattern Wheel, for 11/16 in. eye Square Bar (medium eye) Buttonhole, complete, Nos. 253529, 256915, two each 203E, 250372 and three 391D
253494	16449	Pattern Wheel, for 11/16 in. eye, Square Bar (small eye) Buttonhole complete, Nos. 253444, 253491, 253529 two each 175E, 203E, 250372 and three 391D

No.	Plate	Name
256915	16448	Pattern Wheel, for 11/16 in. eye, Square Bar (medium eye) Buttonhole, with 256205 and two 205D
253491	16449	Pattern Wheel, for 11/16 in. eye, Square Bar (small eye) Buttonhole
253444	16449	Pattern Wheel Cam Block
175E	16449	" " " " Screw
256205	16448	" " Position Plate
205D	16448	" " " " Screw
250372	16448	" " Rapid Feed Trip Point
203E	16448	" " " " " " Screw
253528	16448	" " Ring (adjustable)
253529	16448	" " " 253528 with 211E, 250444, 253526, 253527 and 350221D
253526	16448	Pattern Wheel Ring Adjusting Segment (curved rise)
253527	16448	Pattern Wheel Ring Adjusting Segment (straight drop)
211E	16448	Pattern Wheel Ring Adjusting Segment Screw
350221D	16448	Pattern Wheel Ring Adjusting Segment Thumb Screw
250444	16448	Pattern Wheel Ring Adjusting Segment Screw Washer
391D	16448	Pattern Wheel Ring Screw

SHAFT PULLEYS

27271	16388	Shaft Pulley (sectional, grooved), 4 in. diam., 1-3/16 in. bore, with two 597C
232820	16388	Shaft Pulley (sectional, grooved), 4-1/2 in. diam., 1-3/16 in. bore, with two 597C
27065	16388	Shaft Pulley (sectional, grooved), 5 in. diam., 1-3/16 in. bore, with two 597C
232879	16388	Shaft Pulley (sectional, grooved), 5-1/2 in. diam., 1-3/16 in. bore, with two 597C
27066	16388	Shaft Pulley (sectional, grooved), 6 in. diam., 1-3/16 in. bore, with two 597C
232880	16388	Shaft Pulley (sectional, grooved), 6-1/2 in. diam., 1-3/16 in. bore, with two 597C
27067	16388	Shaft Pulley (sectional, grooved), 7 in. diam., 1-3/16 in. bore, with two 597C
232881	16388	Shaft Pulley (sectional, grooved), 7-1/2 in. diam., 1-3/16 in. bore, with two 597C
27068	16388	Shaft Pulley (sectional, grooved), 8 in. diam., 1-3/16 in. bore, with two 597C

SHAFT PULLEYS

No.	Plate	Name
232882	16388	Shaft Pulley (sectional,grooved),8-1/2 in.diam.,1-3/16 in.bore,with two 597C
27069	16388	Shaft Pulley (sectional,grooved), 9 in.diam.,1-3/16 in.bore,with two 597C
232883	16388	Shaft Pulley (sectional,grooved) 9-1/2 in.diam.,1-3/16 in.bore,with two 597C
27070	16388	Shaft Pulley (sectional,grooved),10 in.diam.,1-3/16 in.bore,with two 597C
27072	16388	Shaft Pulley (sectional,grooved) 12 in.diam.,1-3/16 in.bore,with two 597C
27074	16388	Shaft Pulley (sectional,grooved),14 in.diam.,1-3/16 in.bore,with two 597C
27075	16388	Shaft Pulley (sectional,grooved),15 in.diam.,1-3/16 in.bore,with two 597C

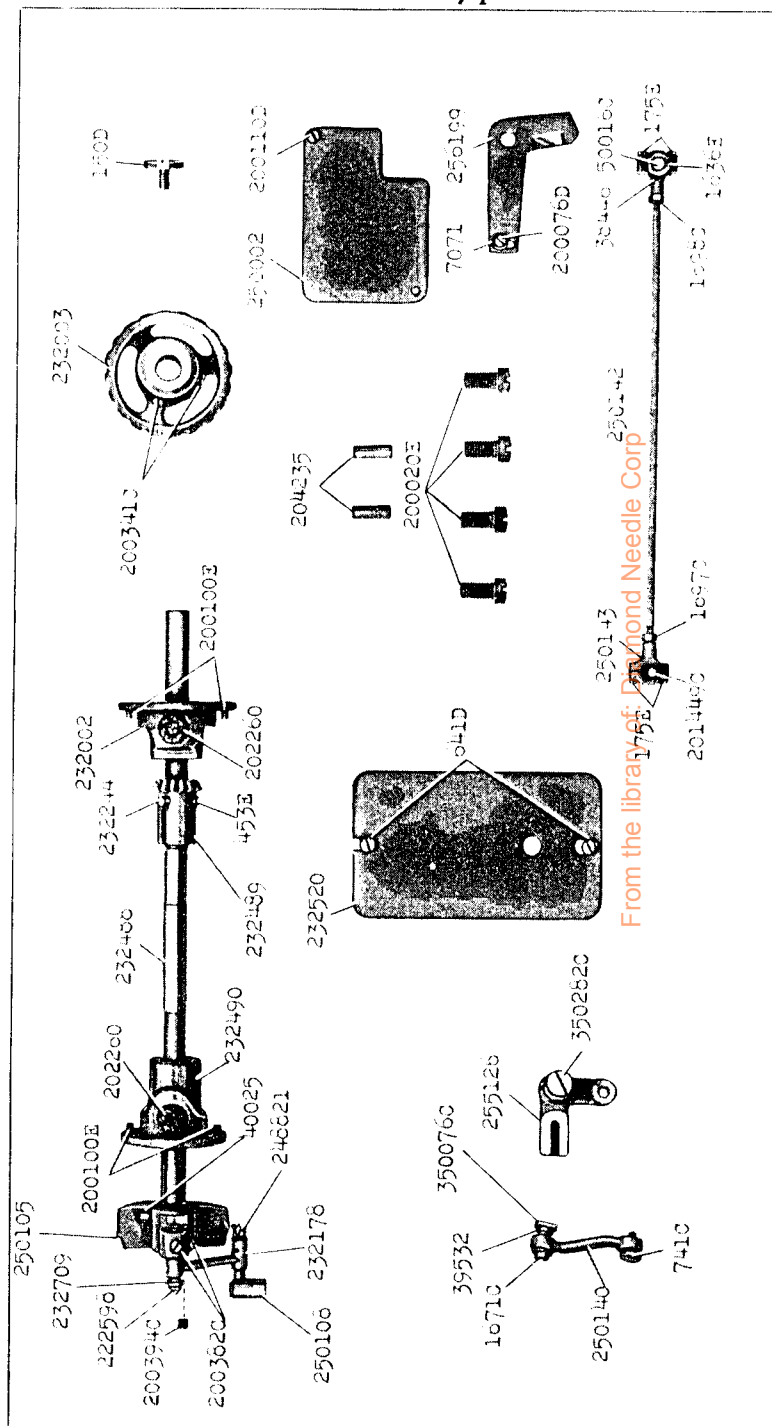
SINGER KNIFE TRUEING FIXTURE

232870	16401	Base with 448C
232871	16401	" 232870 with 59D,232872 and 232876
232872	16401	Knife Clamping Lever
59D	16401	" " " Hinge Screw
232873	16401	Oil Stone
232874	16401	" " Bracket with three 448C
232875	16401	" " " 232874 with 232873 and 232877
232876	16401	Oil Stone Bracket Shaft
448C	16401	" " " " Set Screw
448C	16401	" " Set Screw
232877	16401	" " " Friction Gib
232878	16401	Singer Knife Trueing Fixture complete, Nos.232871 and 232875

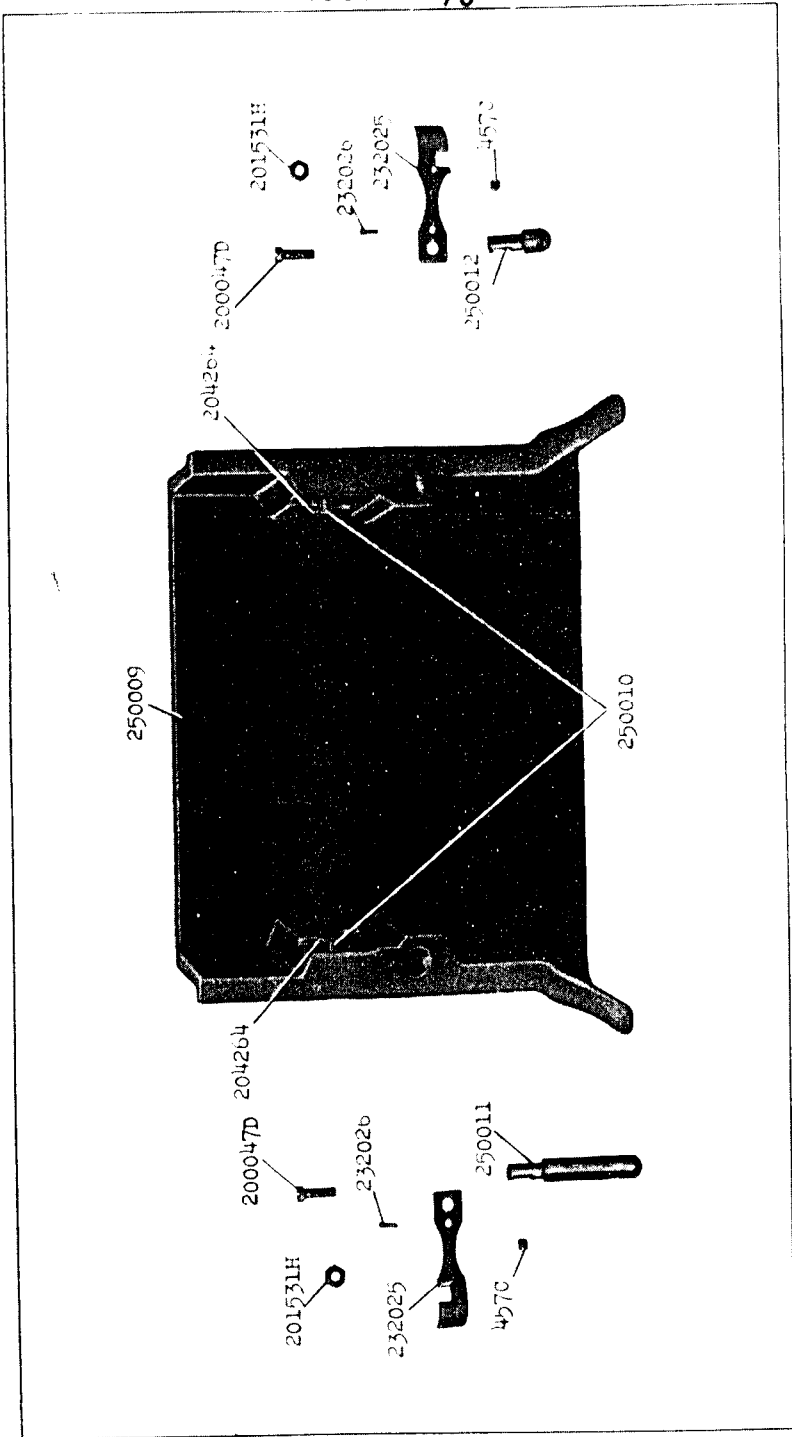
THREAD LUBRICATING CUP

250518	16431	Thread Lubricating Cup with 171E,250519 and 250520
250519	16431	Thread Lubricating Cup Oil Pad
171E	16431	" " " Pinch Screw
250520	16431	" " " Thread Guide

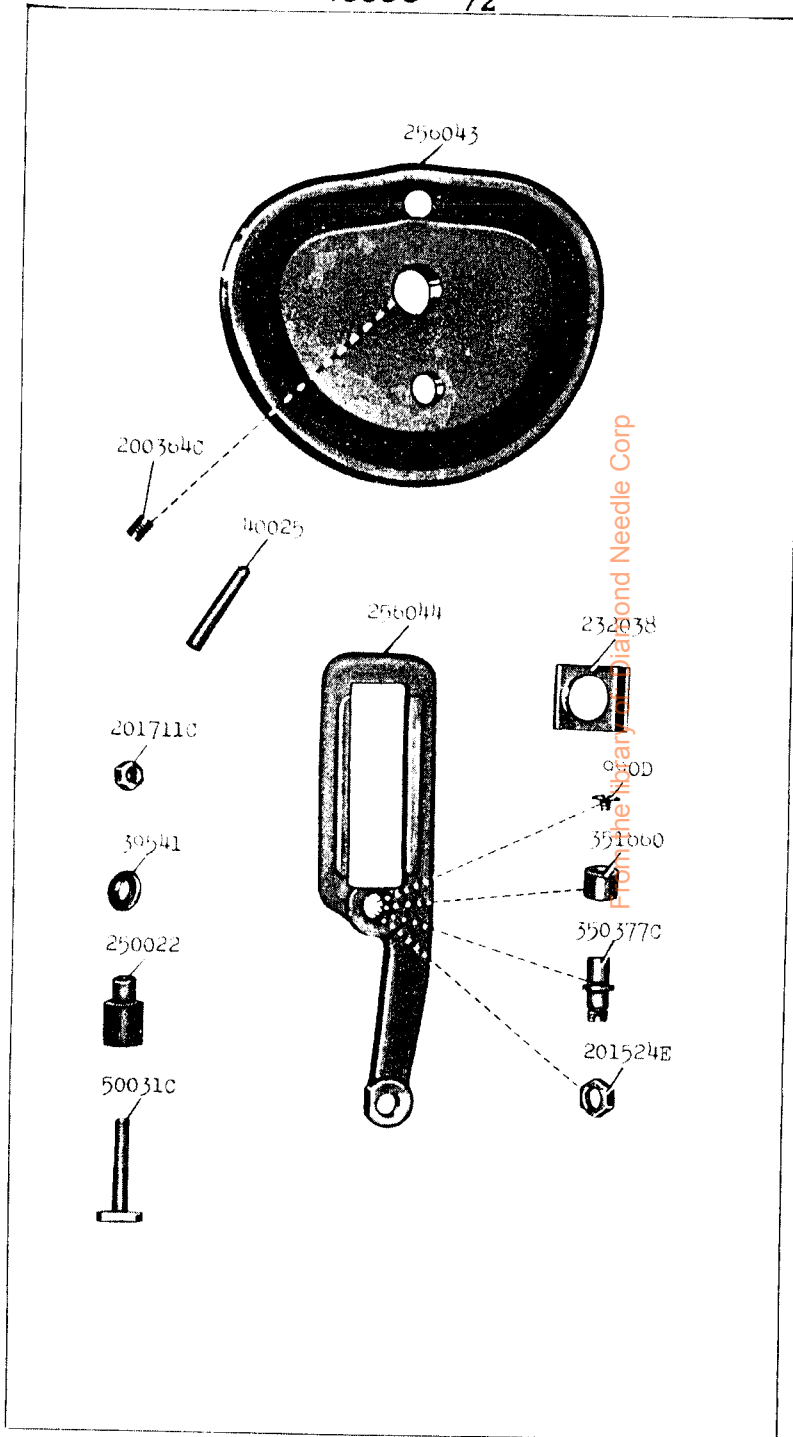
16348 - 1/4



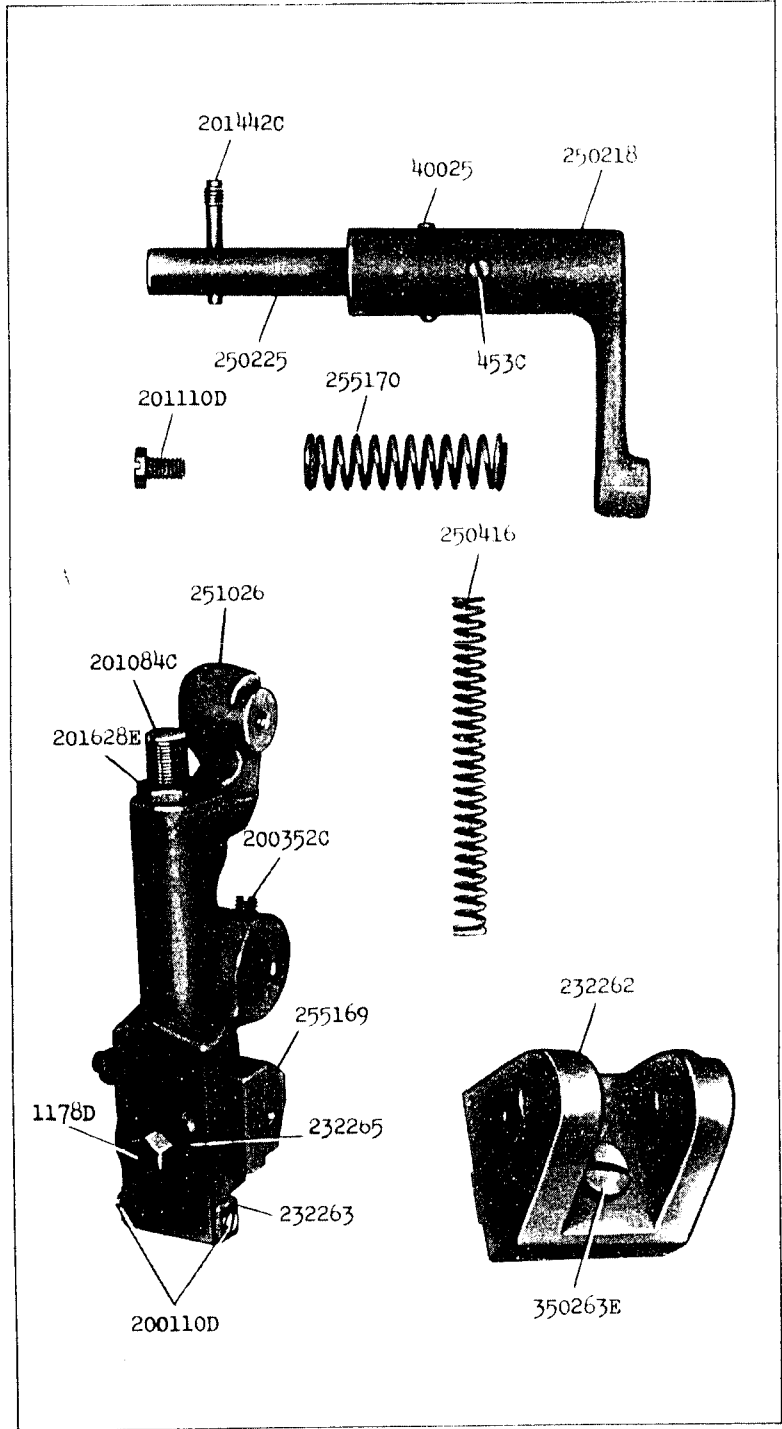
16350 - 1/3



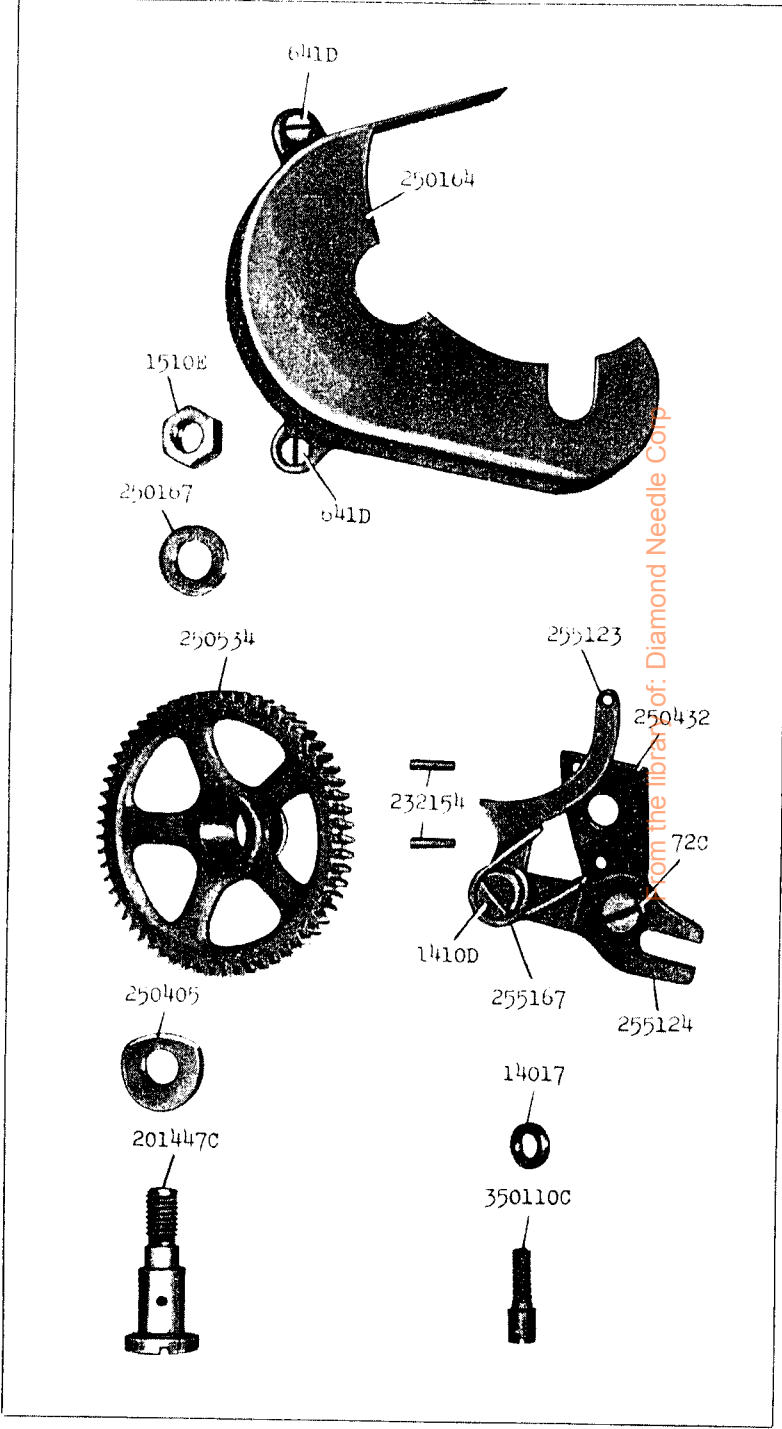
16356 - 1/2



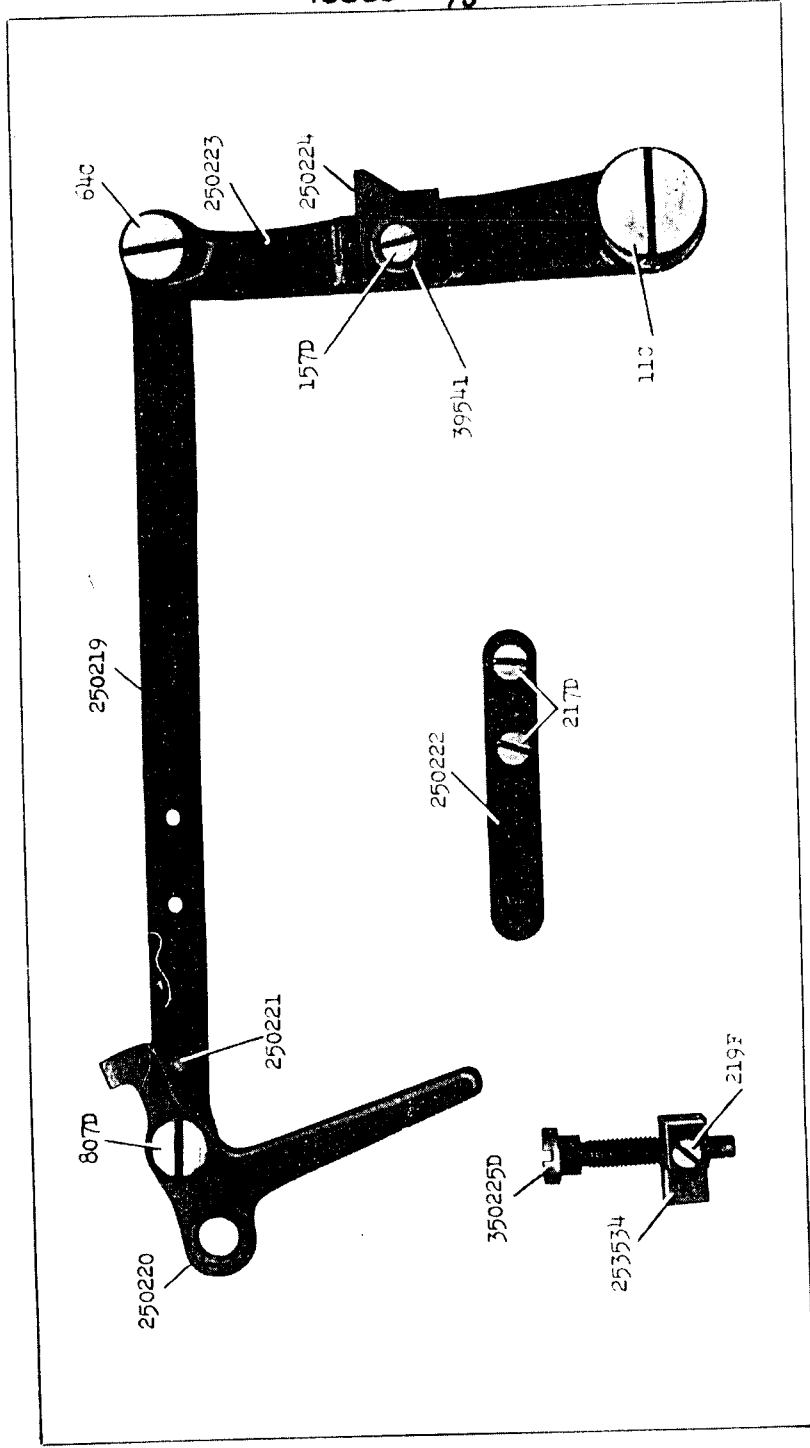
16363 - 1/2



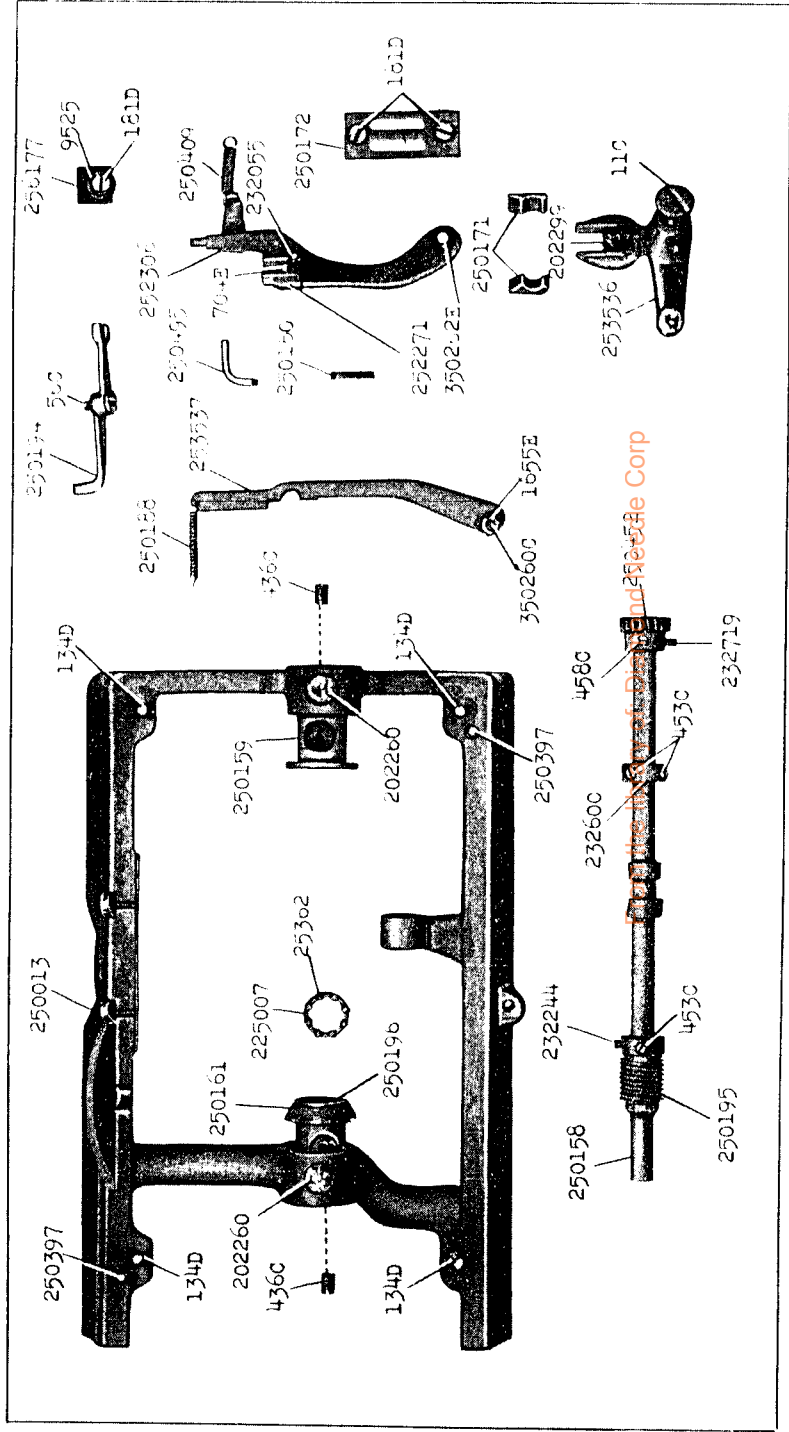
16364 - 1/2



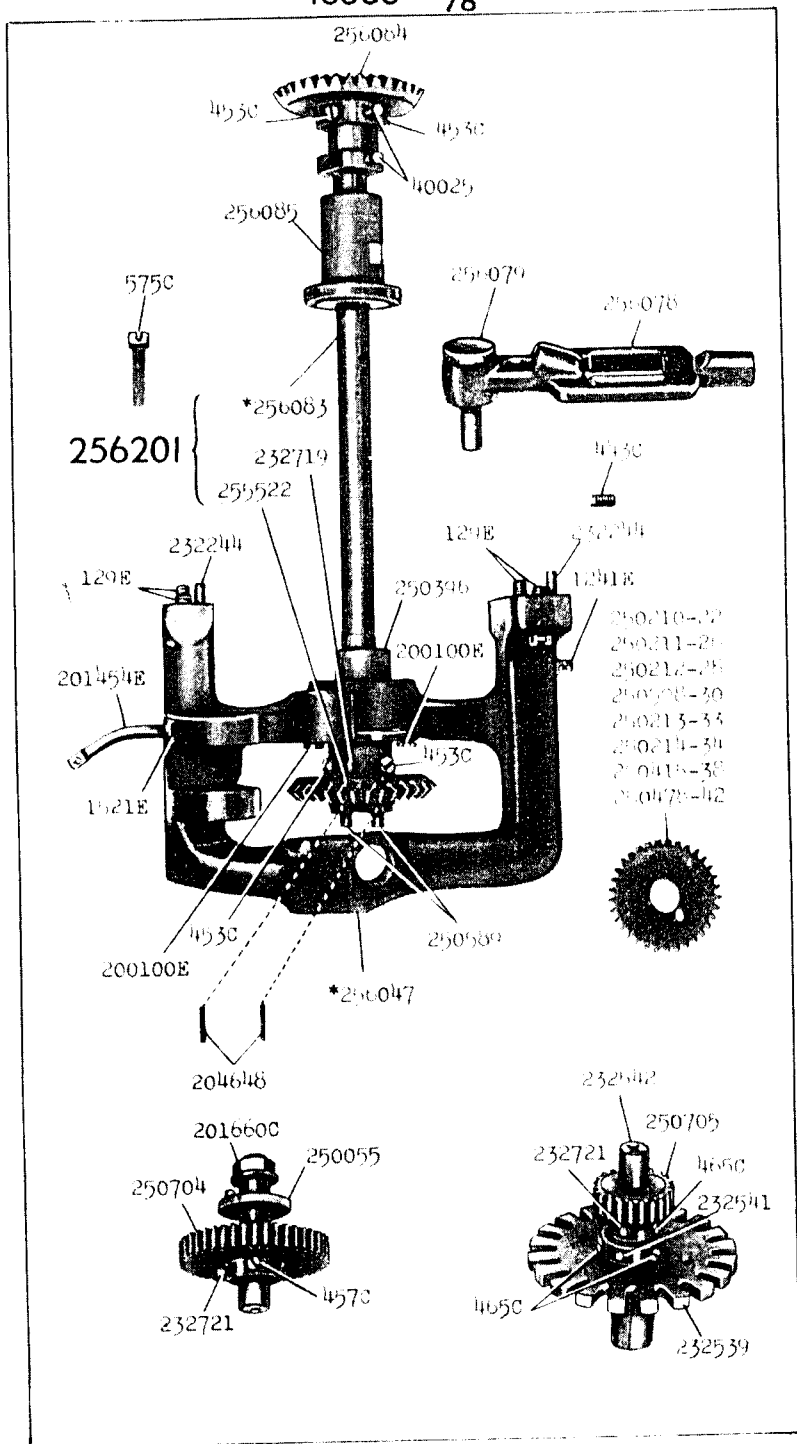
16365 - 2/3



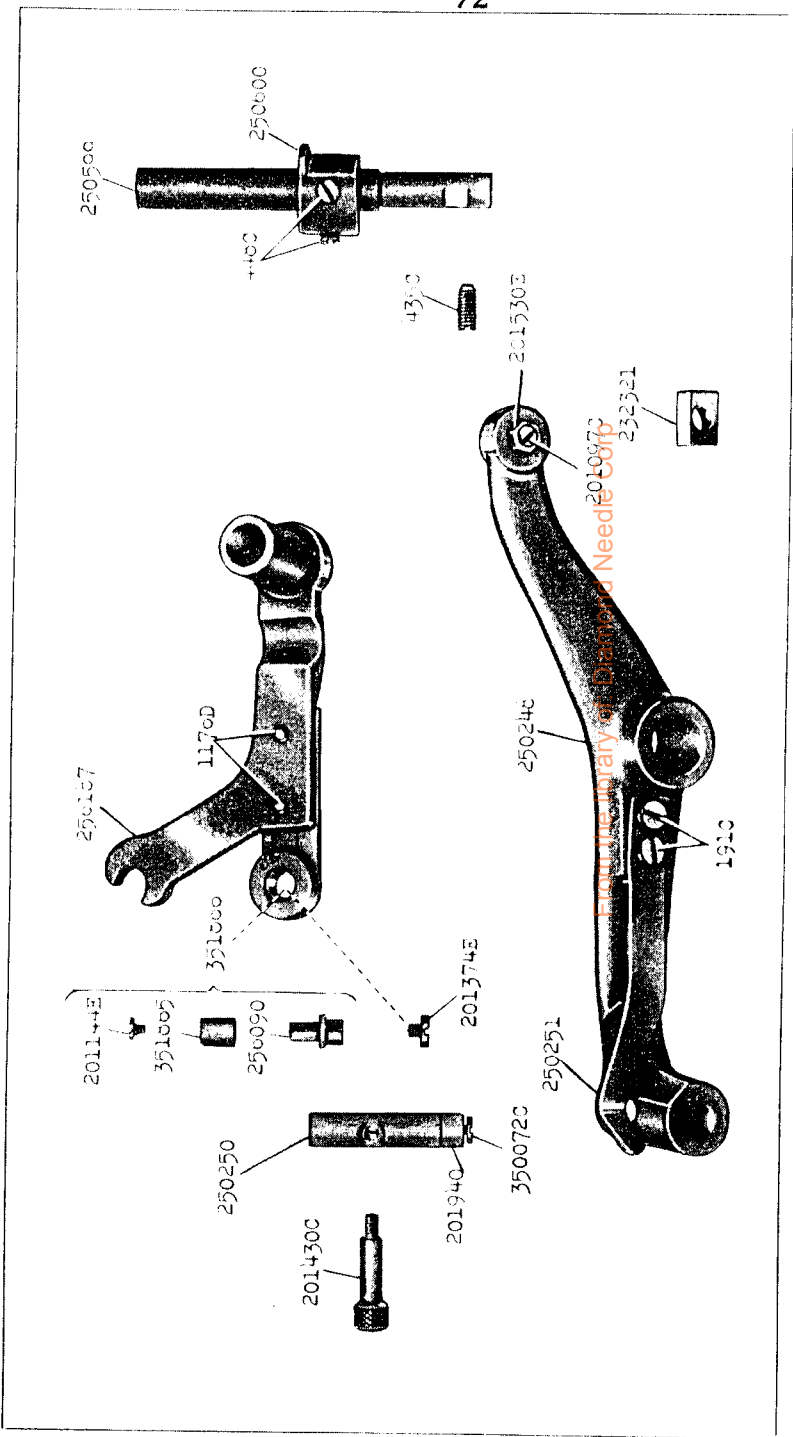
16367 - 1/4



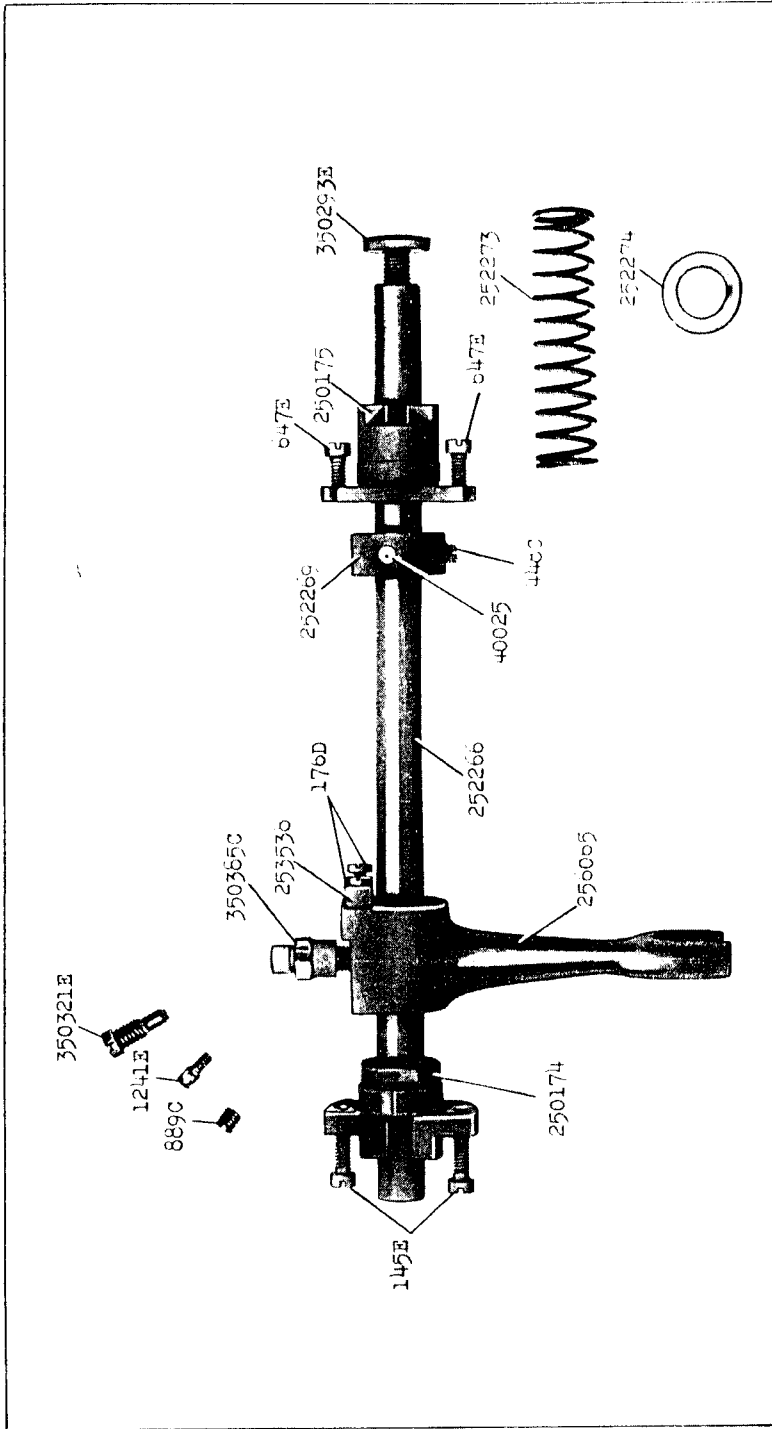
16368 - 3/8



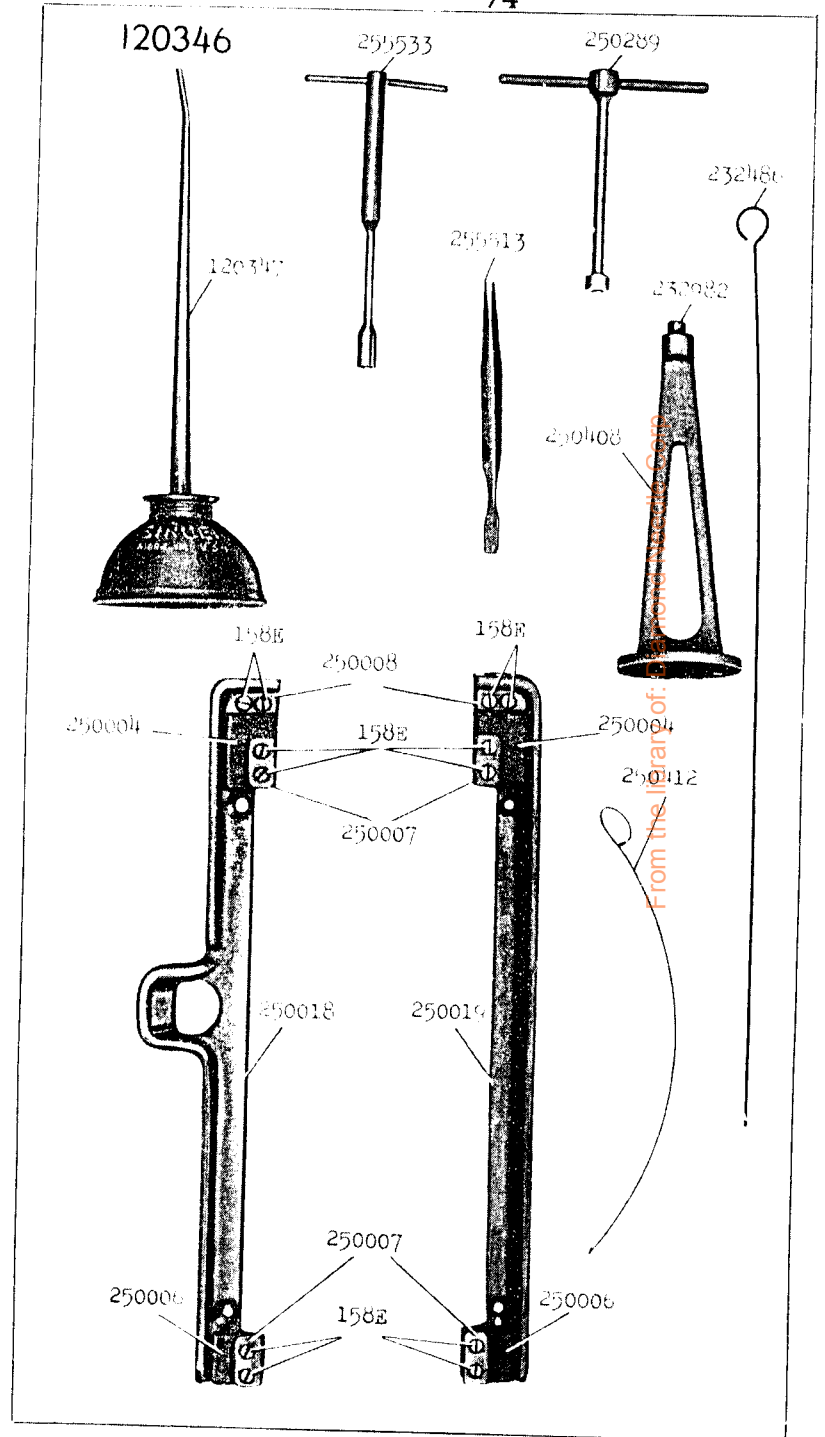
16371 - 1/2



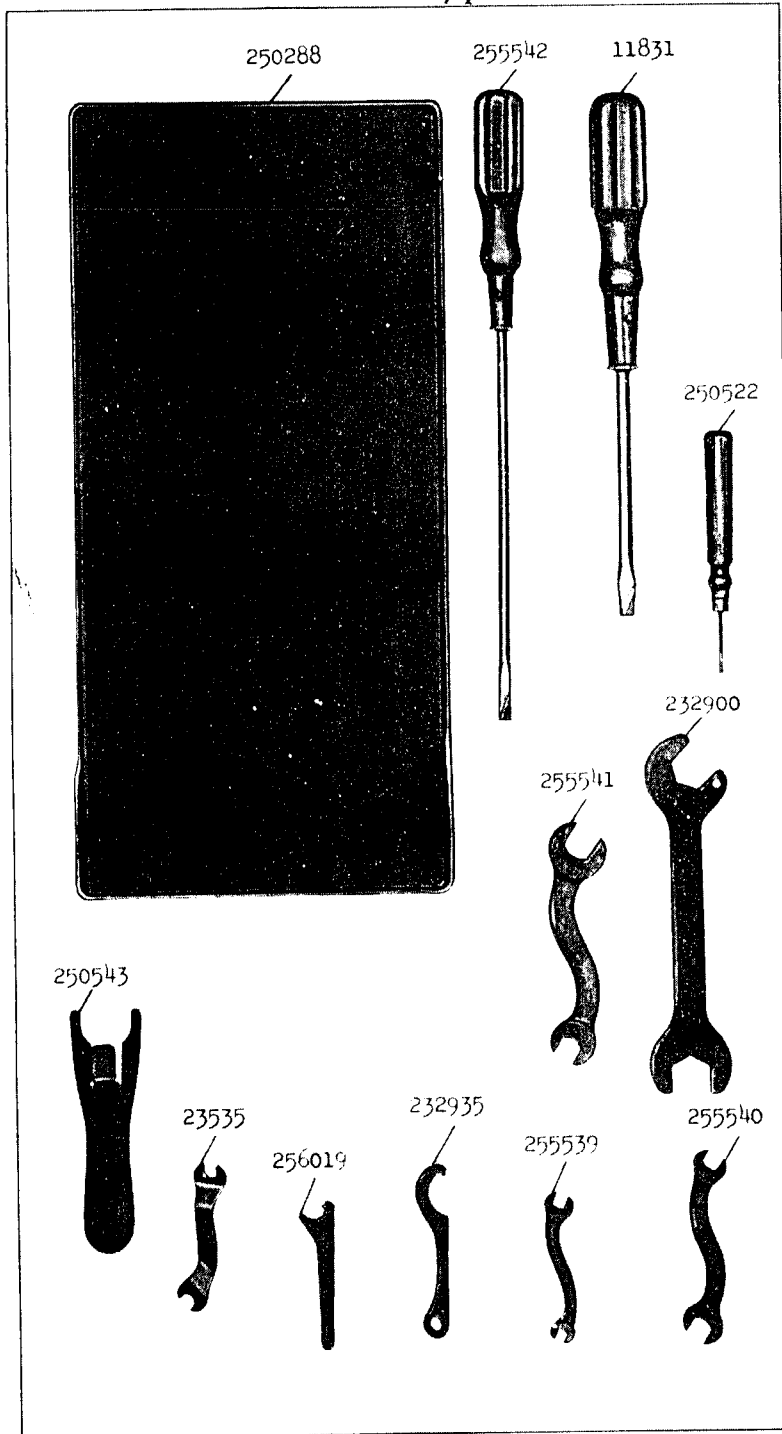
16372 - 1/2



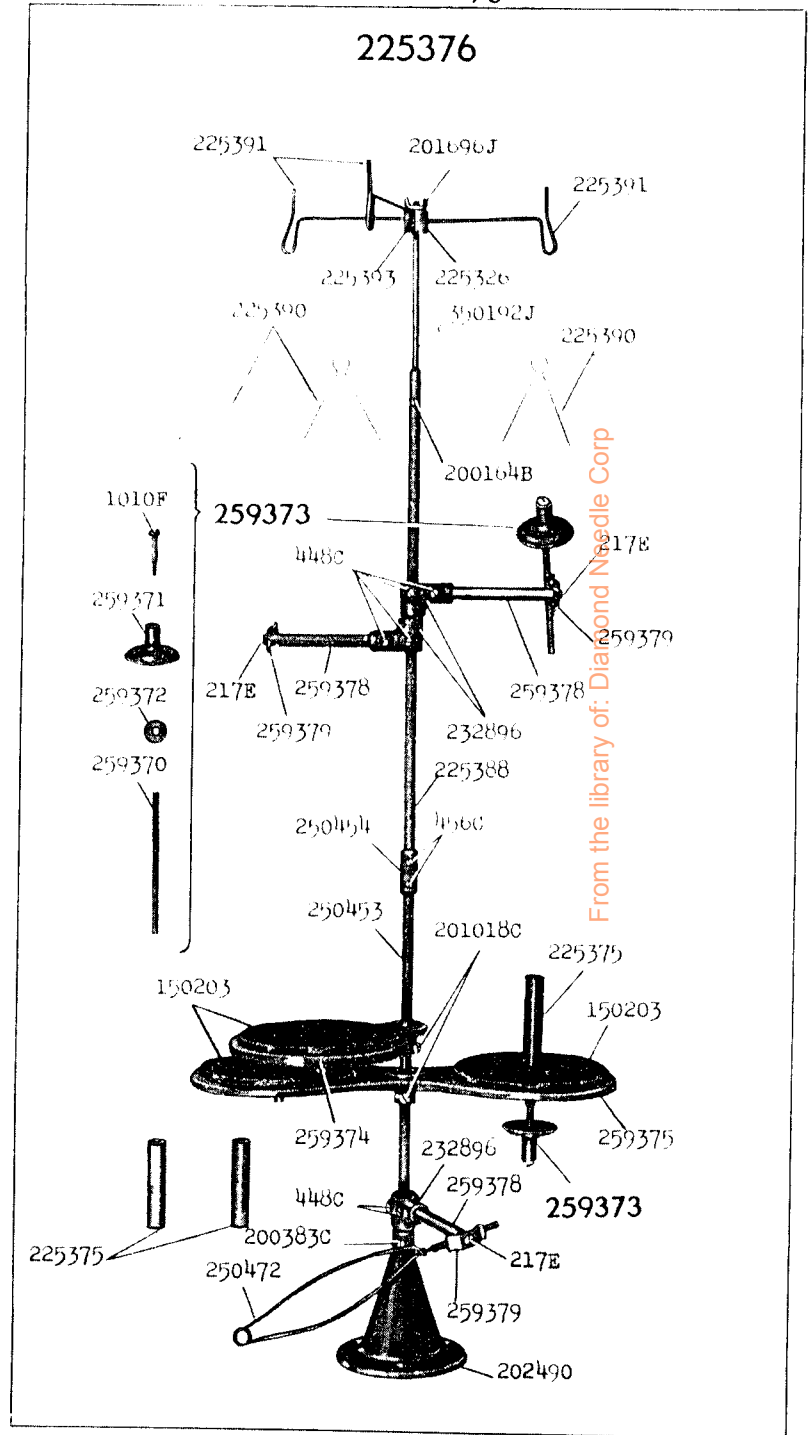
16382 - 1/4



16383 - 1/4



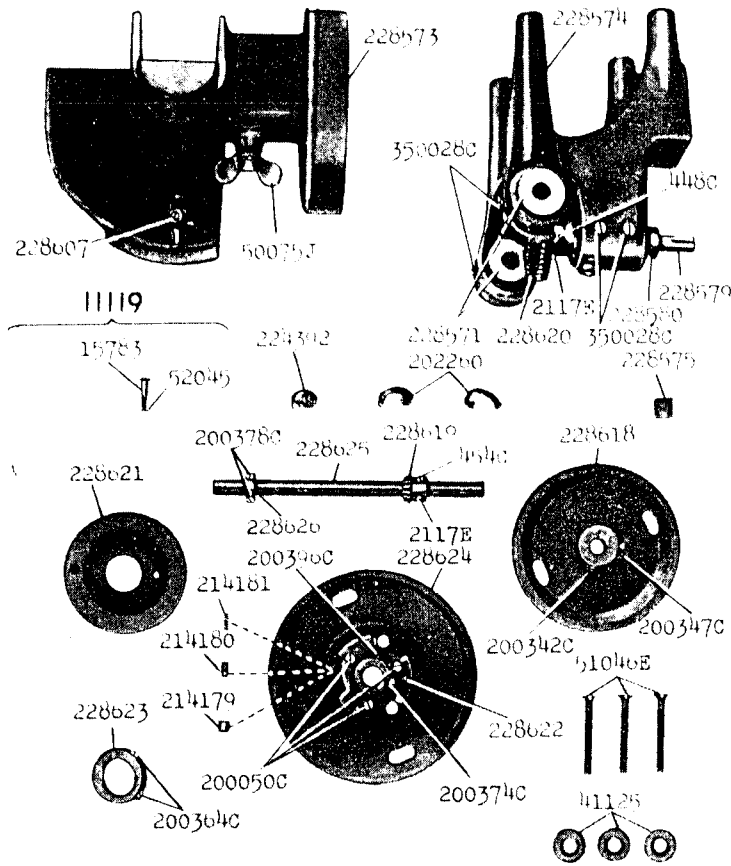
16385 - 1/6



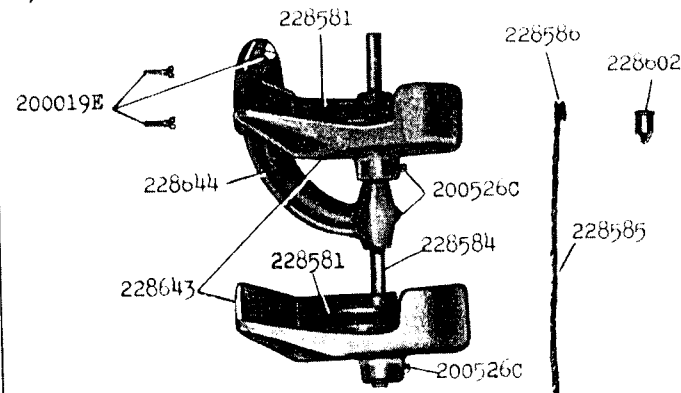
16386 - 1/6

228578

228627

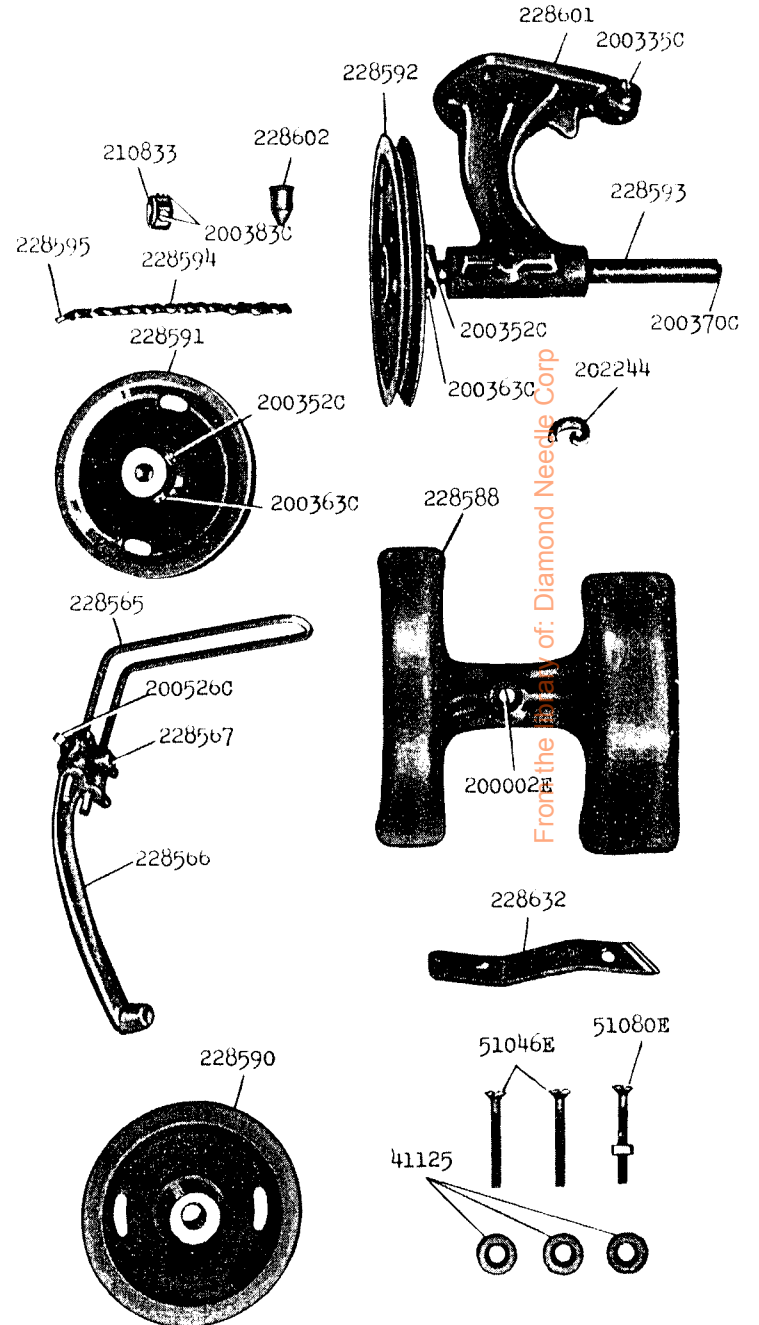


228587



16387 - 1/5

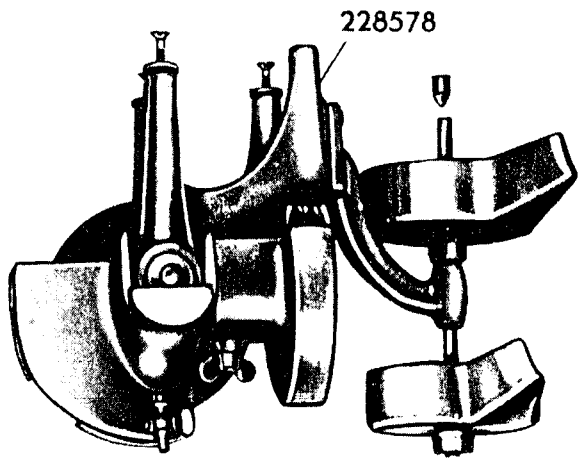
228596



From the Library of: Diamond Needle Corp

16388 - 1/6

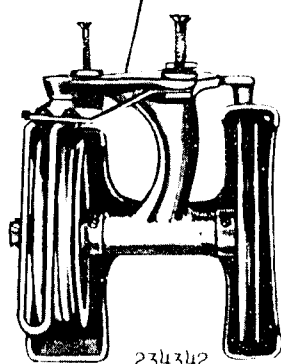
228599



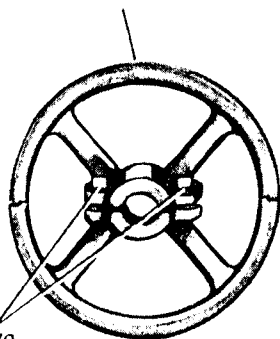
228578

- | | |
|--------------|--------------|
| 27271-4 | 27068-8 |
| 232920-4-1/2 | 232882-8-1/2 |
| 27065-5 | 27069-9 |
| 232879-5-1/2 | 232883-9-1/2 |
| 27066-6 | 27070-10 |
| 232880-6-1/2 | 27072-12 |
| 27067-7 | 27074-14 |
| 232881-7-1/2 | 27075-15 |

228596



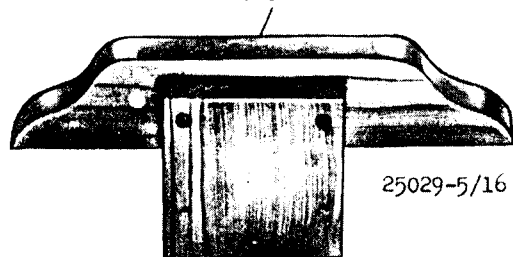
234342



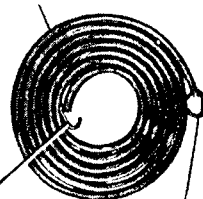
597C

234344

228628-5/16 x 83
228631-3/8 x 133



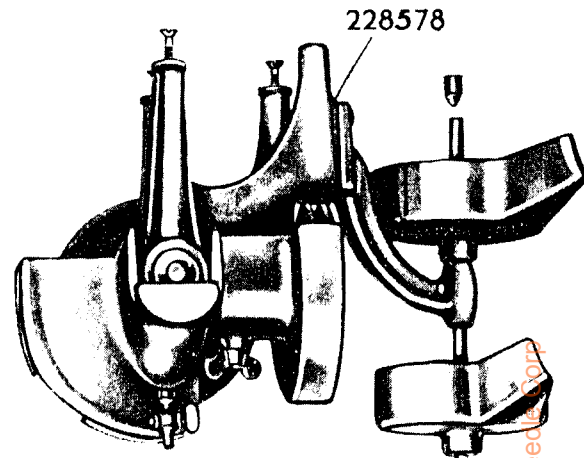
25029-5/16



25030-3/8

16389 - 1/6

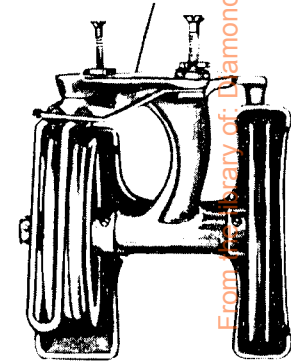
228609



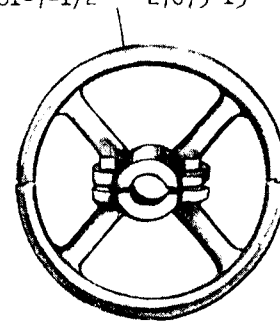
228578

- | | |
|--------------|--------------|
| 27271-4 | 27068-8 |
| 232920-4-1/2 | 232882-8-1/2 |
| 27065-5 | 27069-9 |
| 232879-5-1/2 | 232883-9-1/2 |
| 27066-6 | 27070-10 |
| 232880-6-1/2 | 27072-12 |
| 27067-7 | 27074-14 |
| 232881-7-1/2 | 27075-15 |

228596

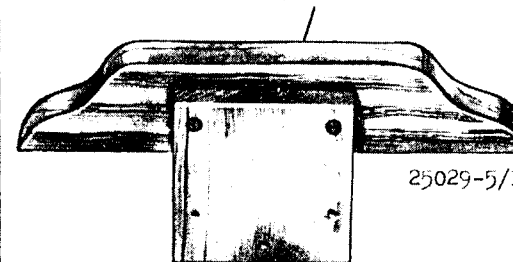


228608

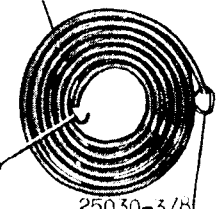


234344

228628-5/16 x 83
228631-3/8 x 133



25029-5/16

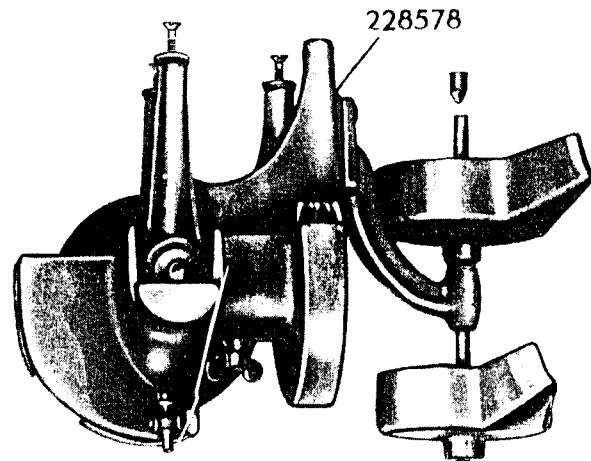


25030-3/8

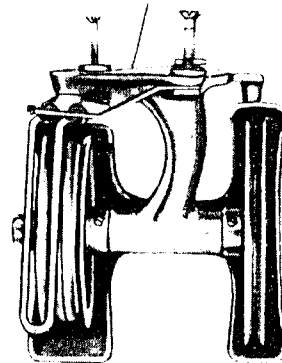
From the Library of Diamond Needle Corp

16390 - 1/6

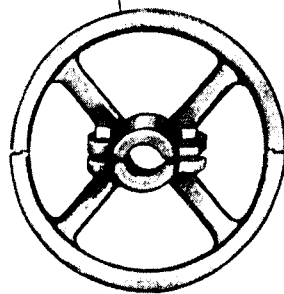
228611



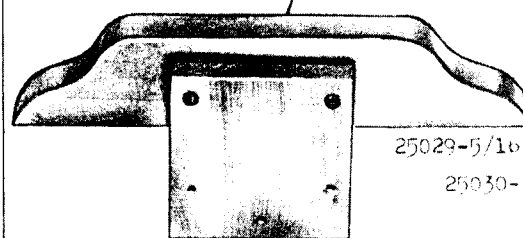
228596



- 27271-4
- 232020-4-1/2
- 27069-5
- 232079-5-1/2
- 27066-6
- 232000-6-1/2
- 27067-7
- 232001-7-1/2
- 27068-8
- 232002-8-1/2
- 27069-9
- 232003-9-1/2
- 27070-10
- 27072-11
- 27074-12
- 27075-13



234344



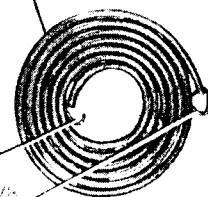
25029-5/16

25030-3/8



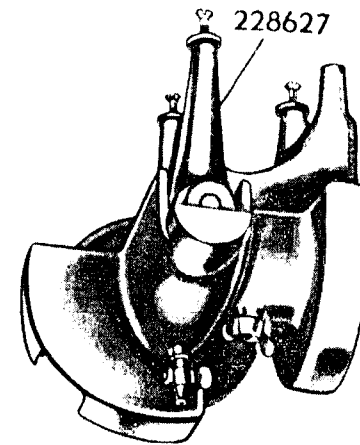
228020-5/16 x 03

228031-3/8 x 133

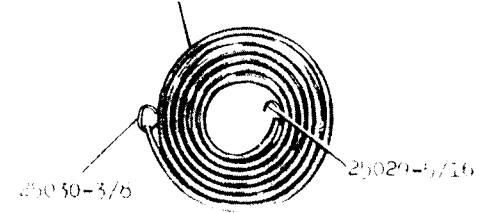


16391 - 1/6

228605



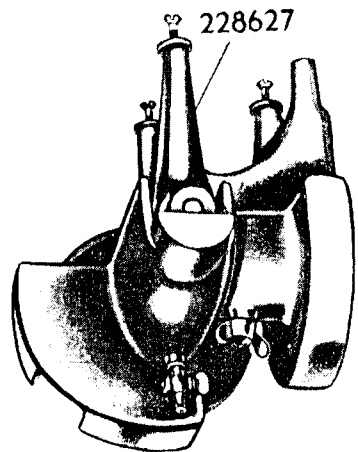
228020-5/16 x 03
228031-3/8 x 133



From the library of: Diamond Needle Corp

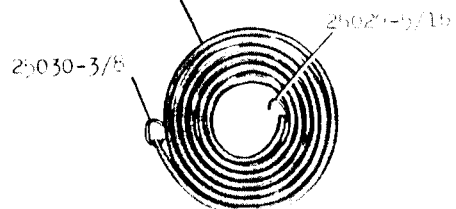
16392 - 1/6

228612



228627

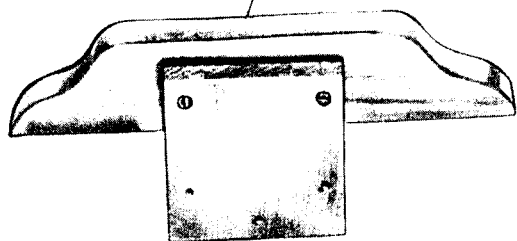
228628-3/16 x 53
228629-3/8 x 57



234342

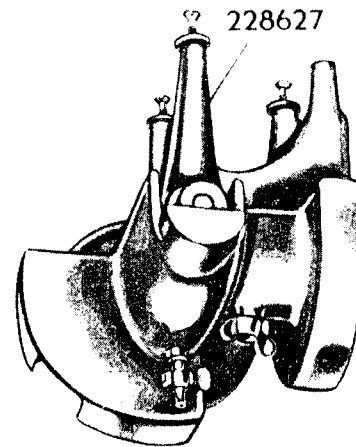


234340



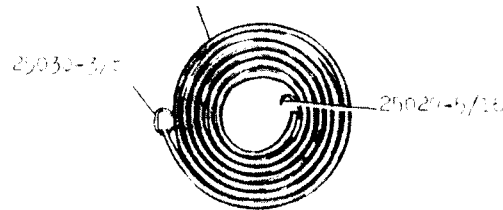
16393 - 1/6

228613



228627

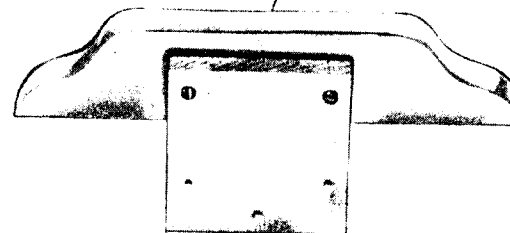
228628-3/16 x 53
228629-3/8 x 57



228610

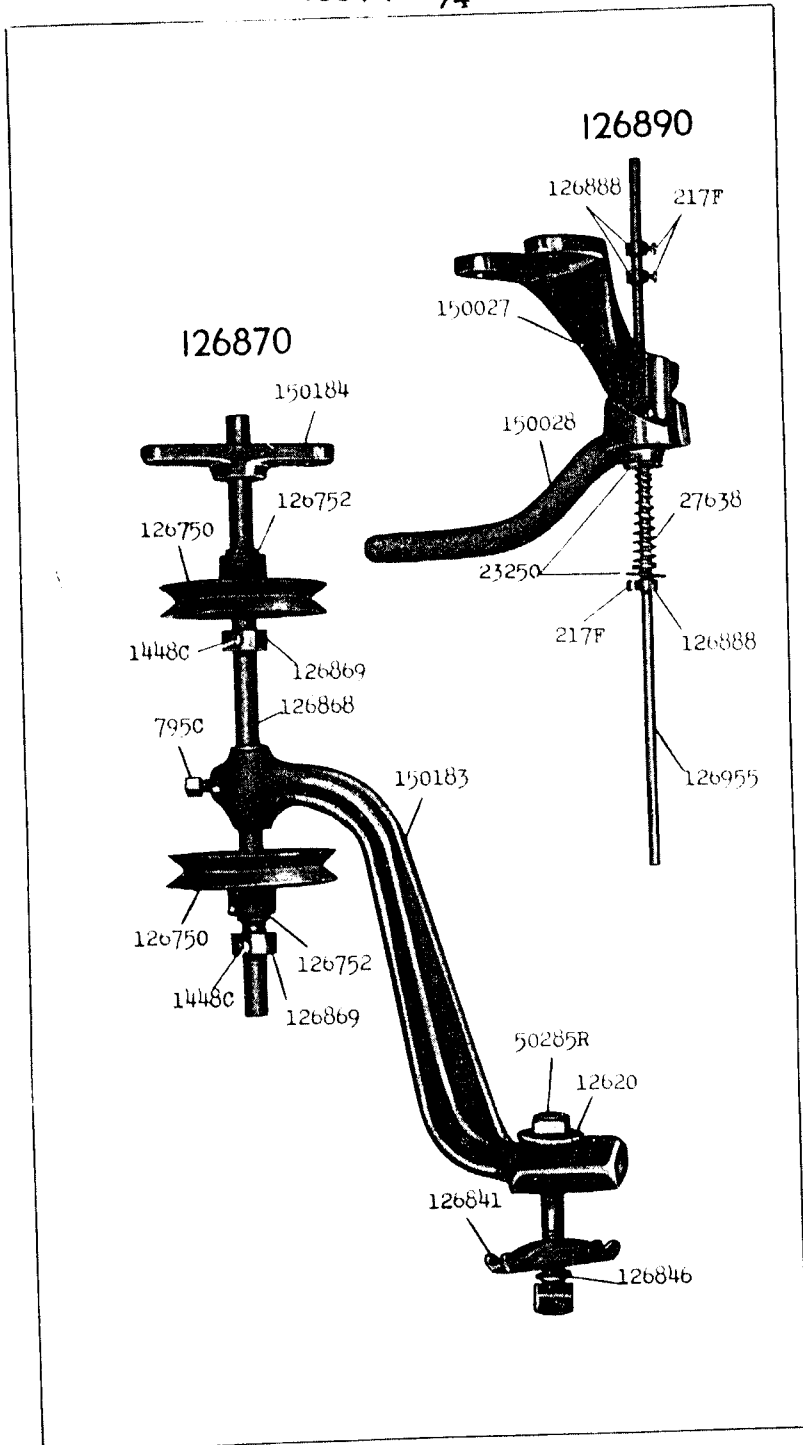


234344



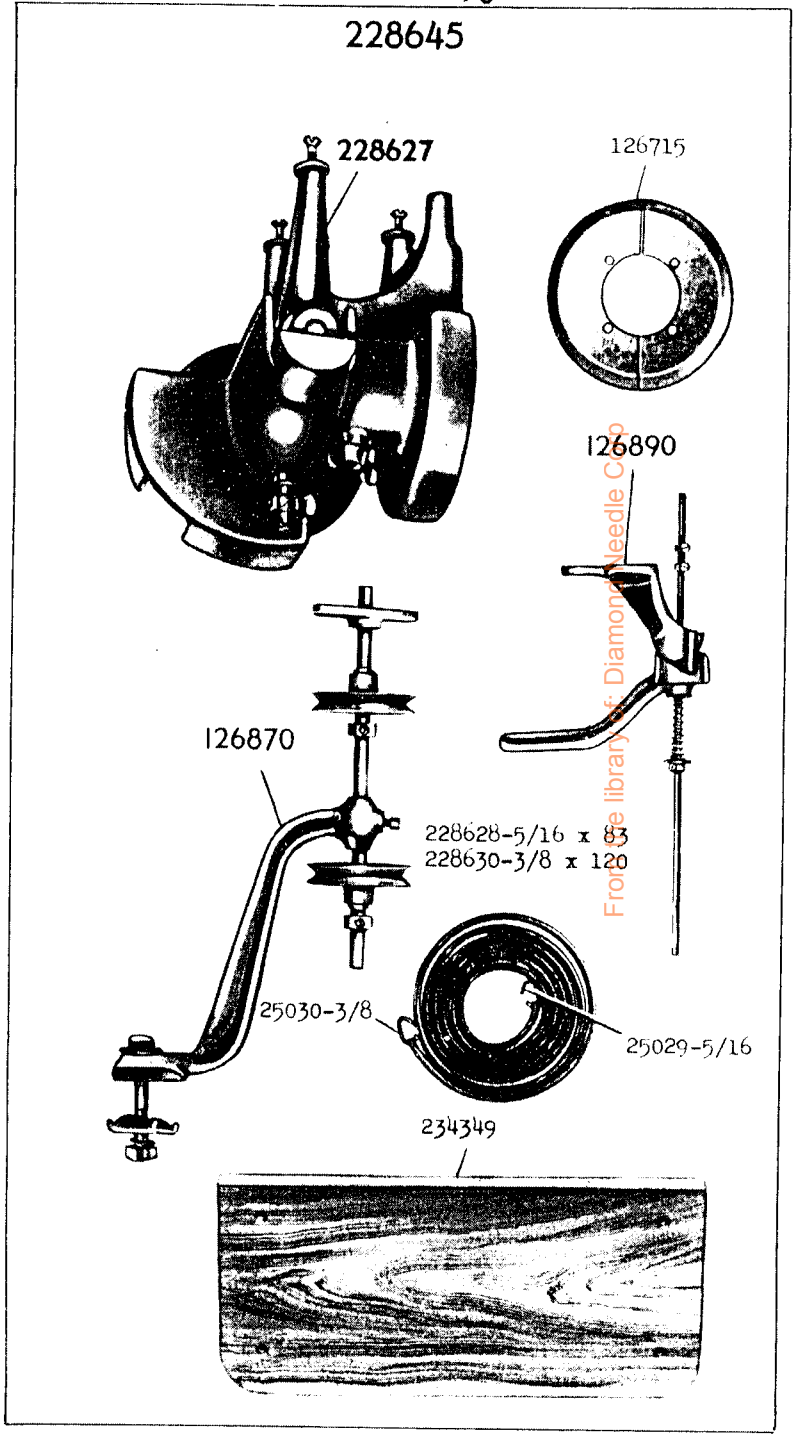
From the library of: Diamond Needle Corp

16394 - 1/4



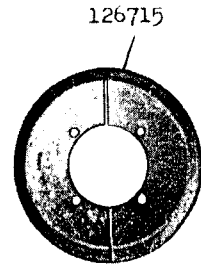
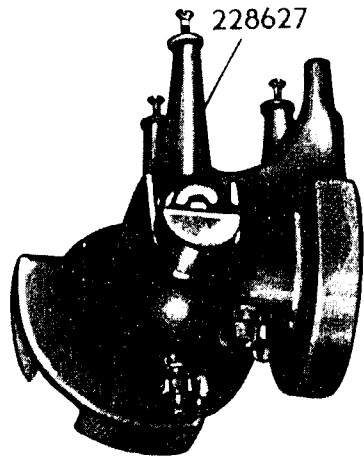
16395 - 1/6

228645

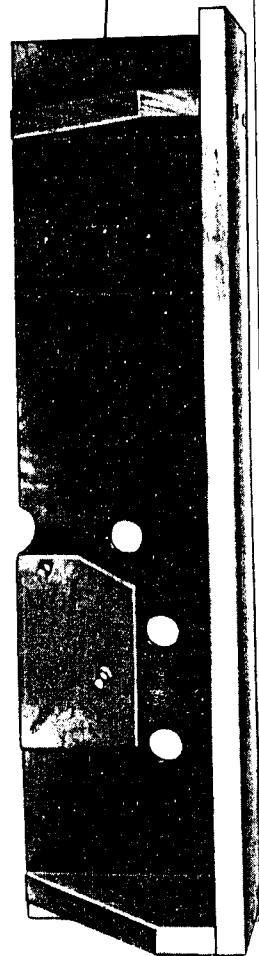


16396 - 1/6

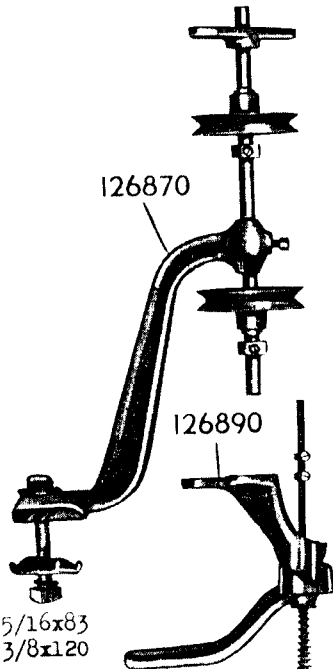
228646



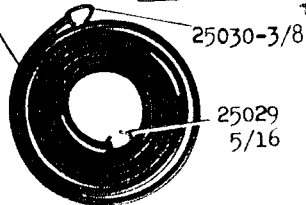
234350



126870

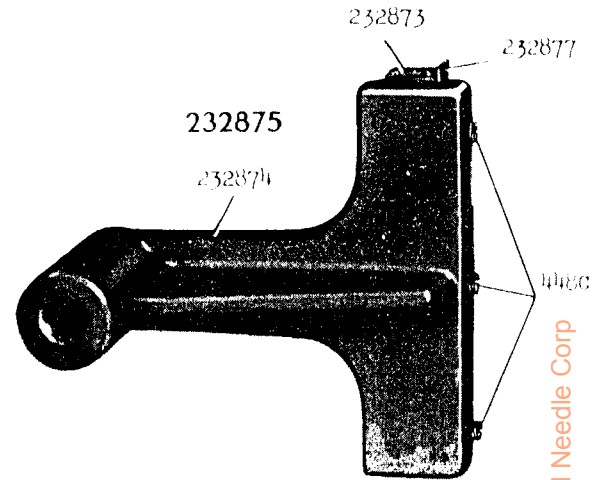


228628-5/16x83
228630-3/8x120

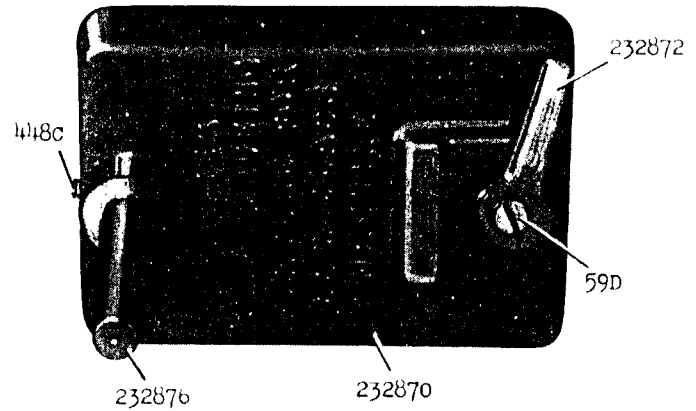


16401 - 1/2

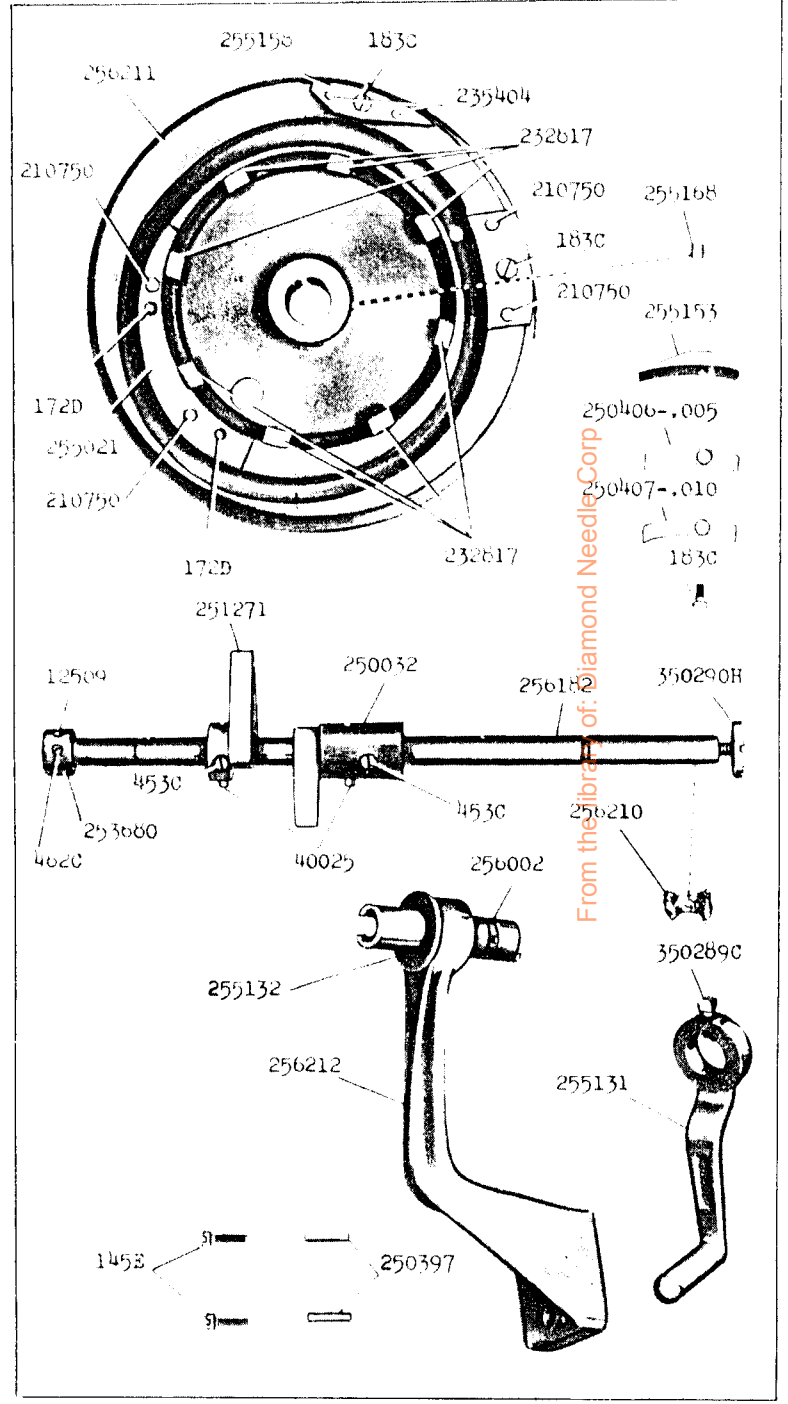
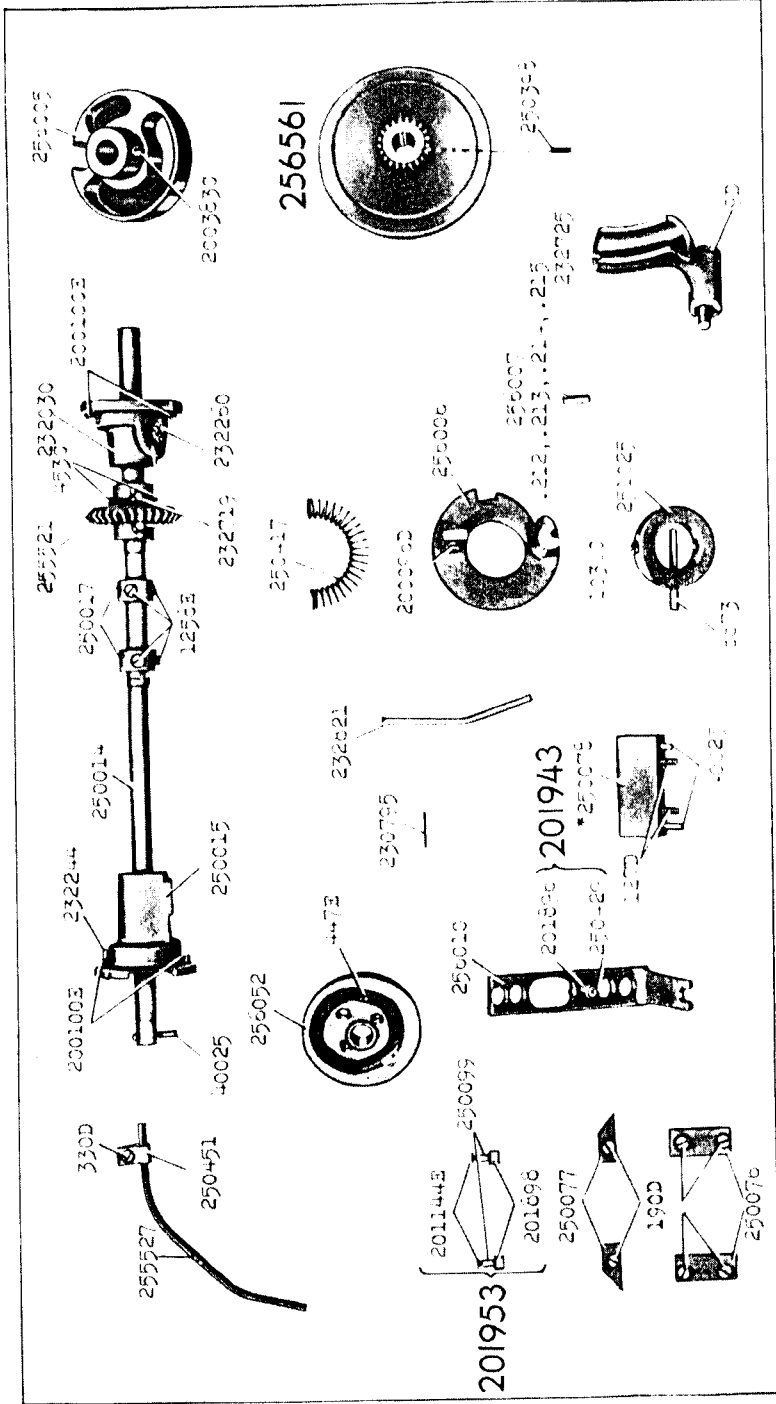
232878



232871

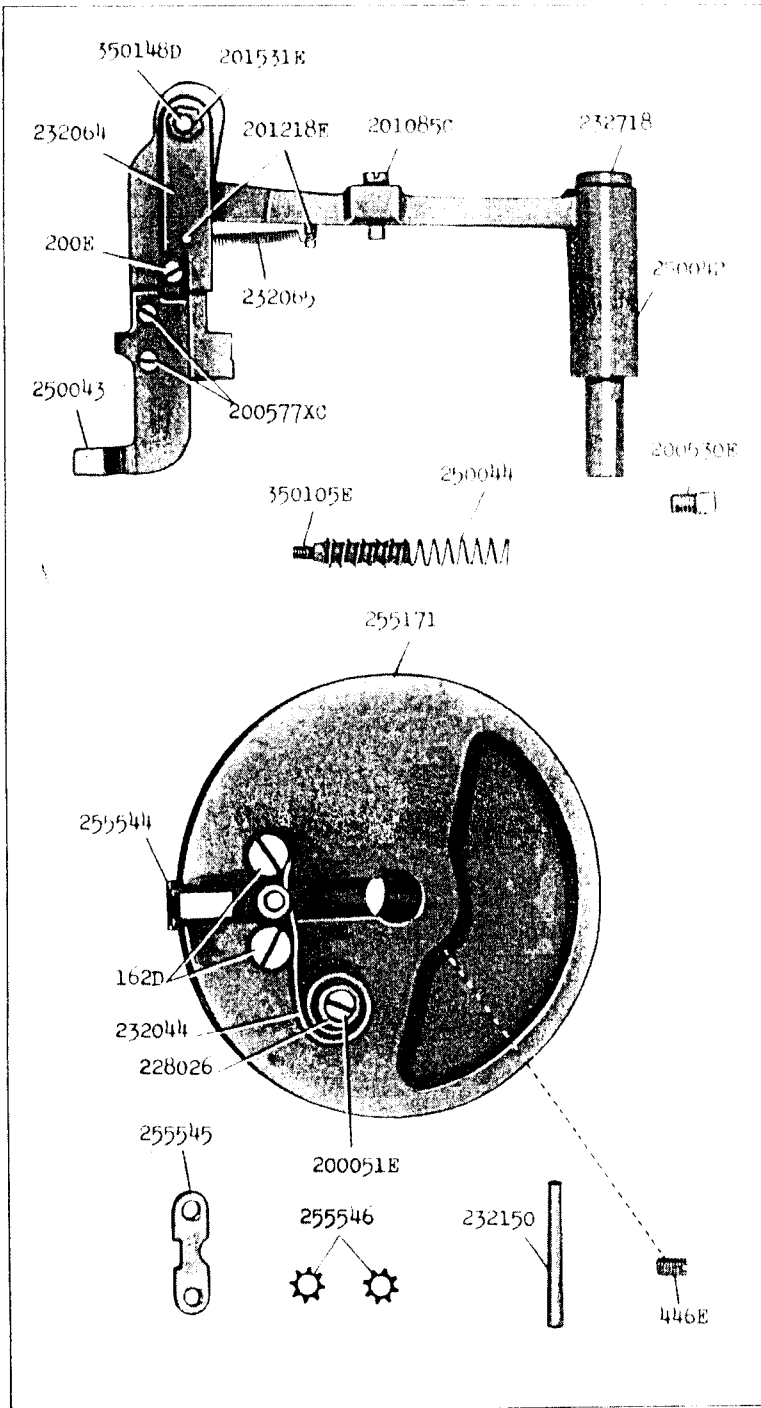


From the library of: Diamond Needle Corp

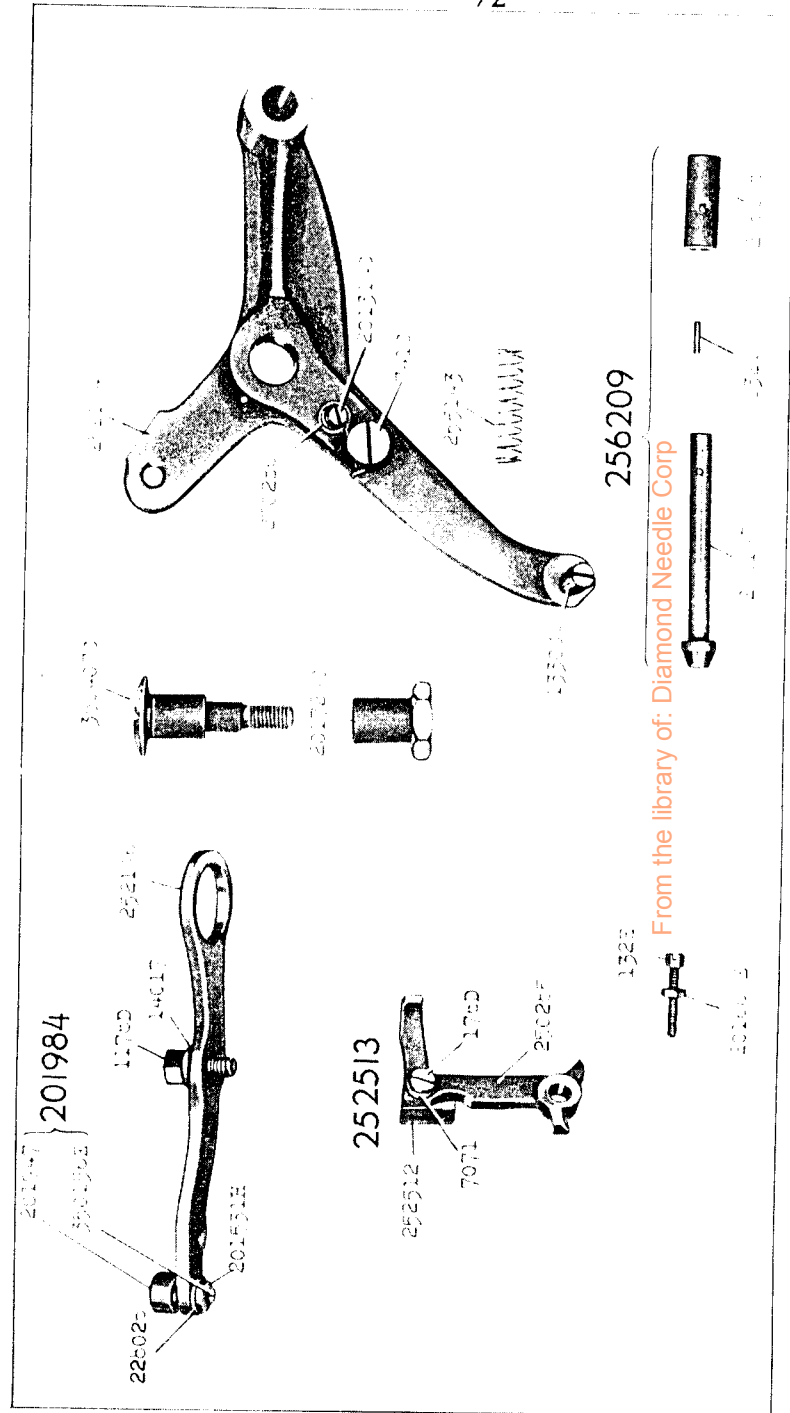


From the library of: Diamond Needle Corp

16406 - 1/2

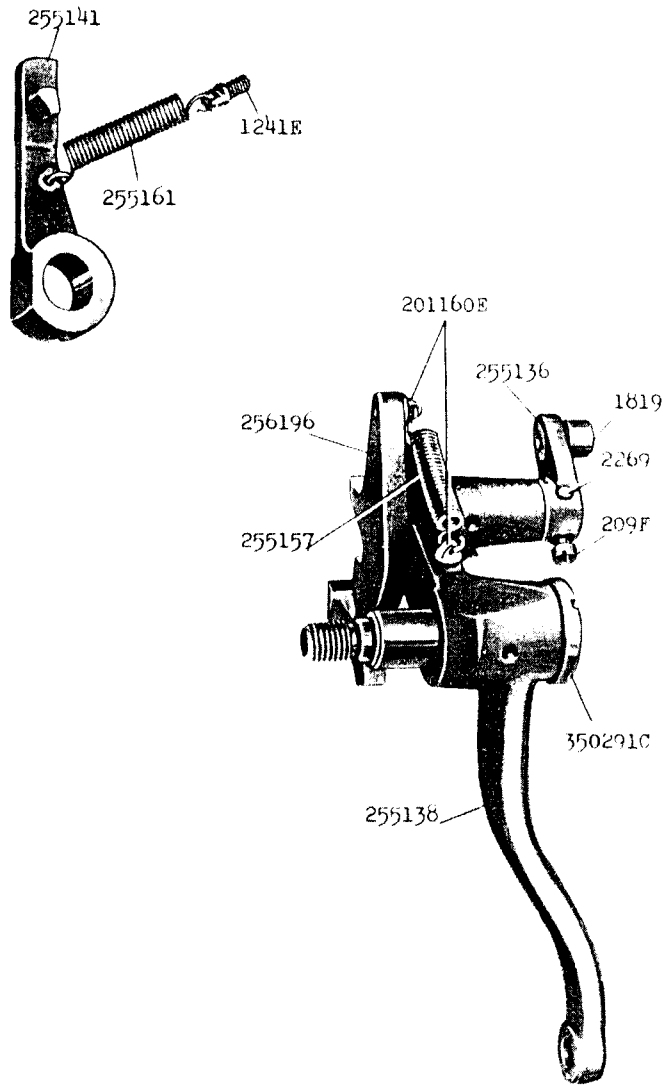


16407 - 1/2

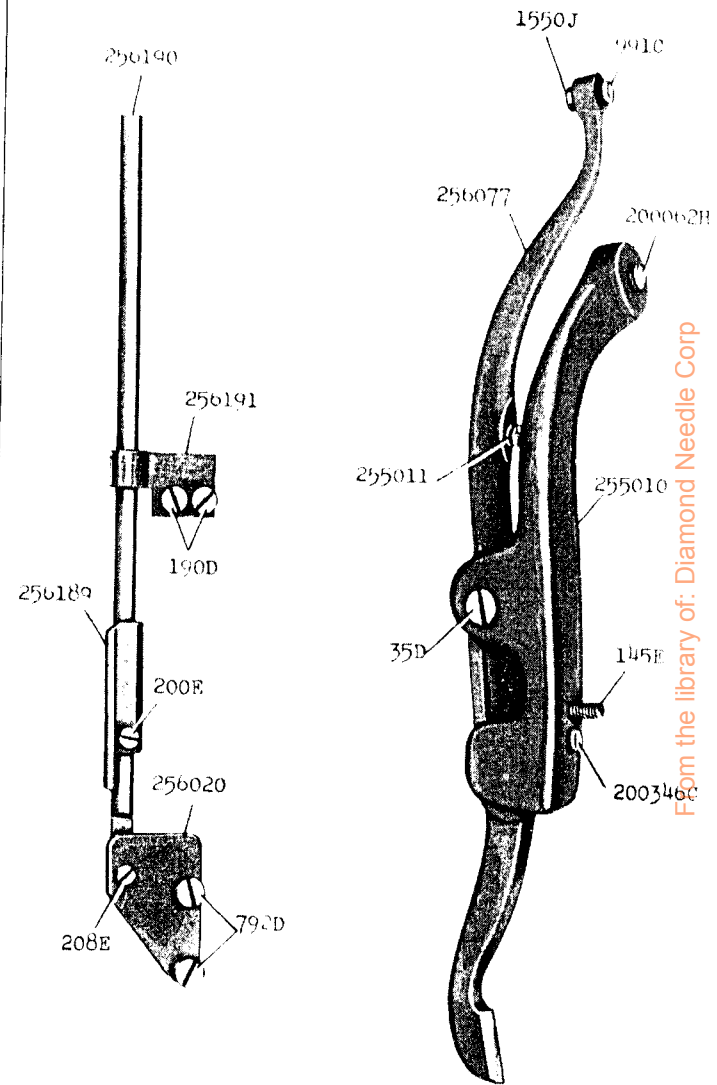


From the library of: Diamond Needle Corp

16409 - 2/3

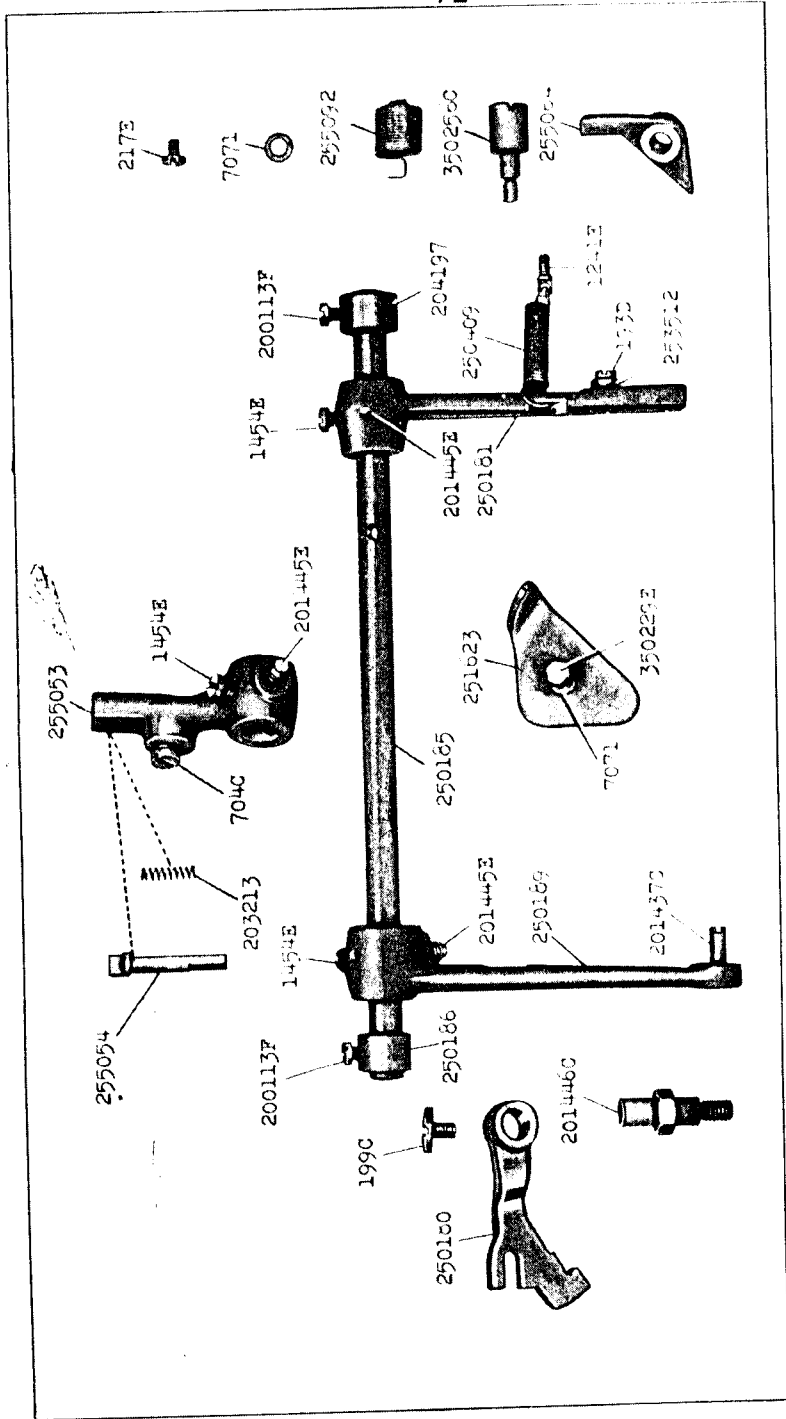


16412 - 1/2

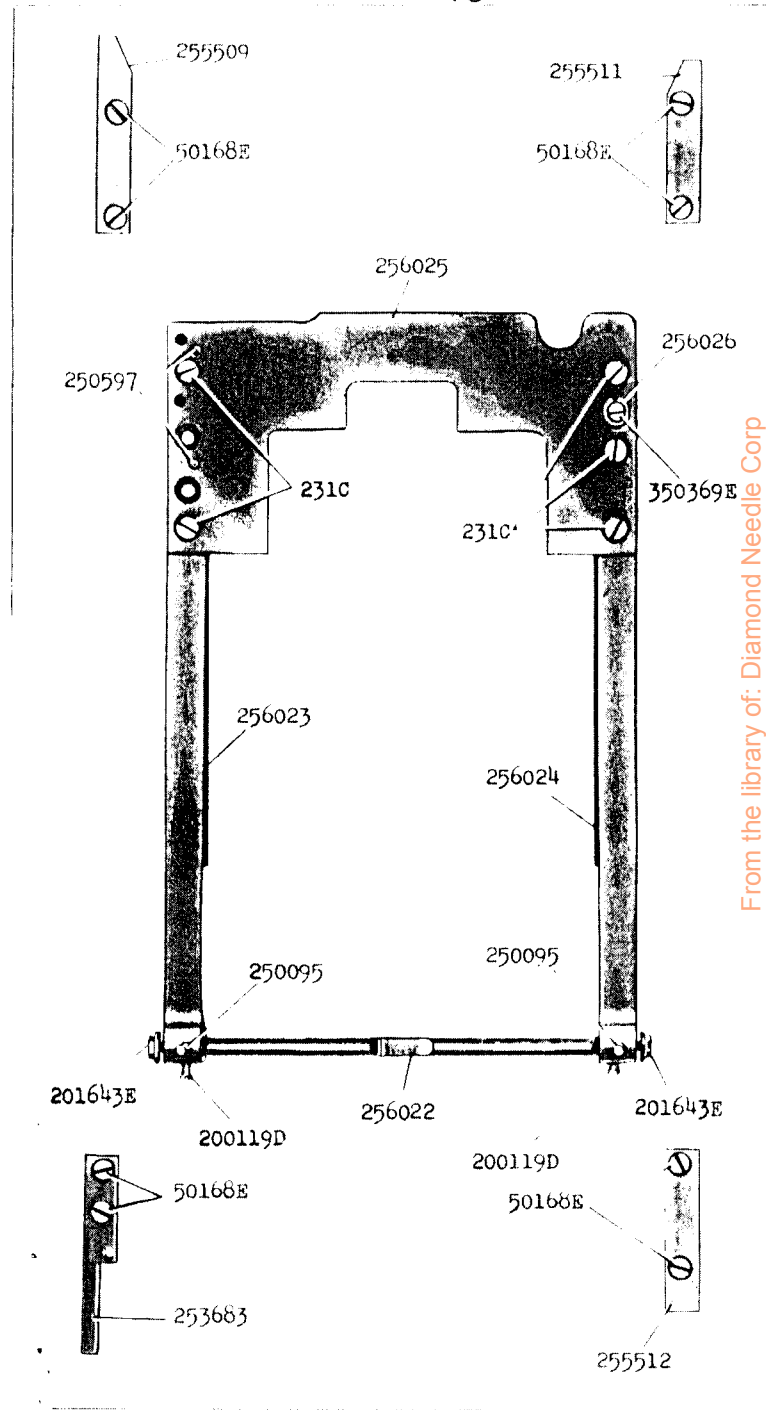


From the library of: Diamond Needle Corp

16421 - 1/2

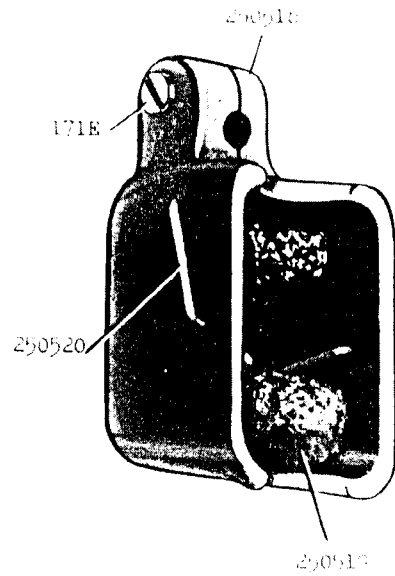


16428 - 3/8



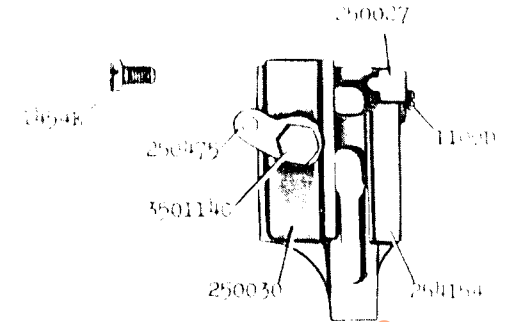
From the library of: Diamond Needle Corp

16431

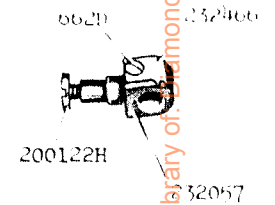


16439 - 2/3

25091B
1.100 x 1.1571



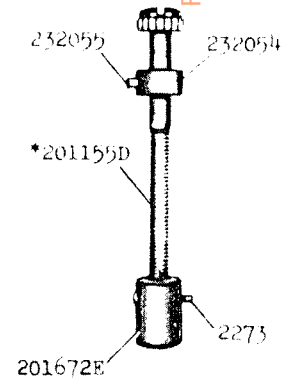
250030



25091B-1/16



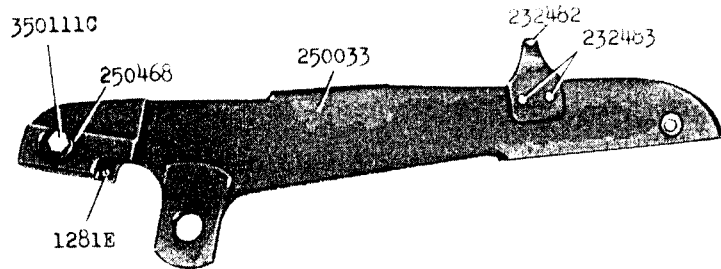
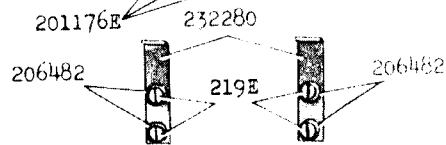
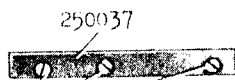
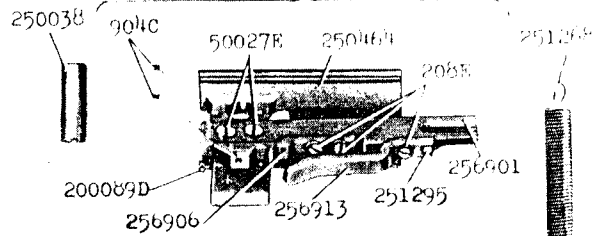
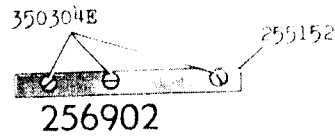
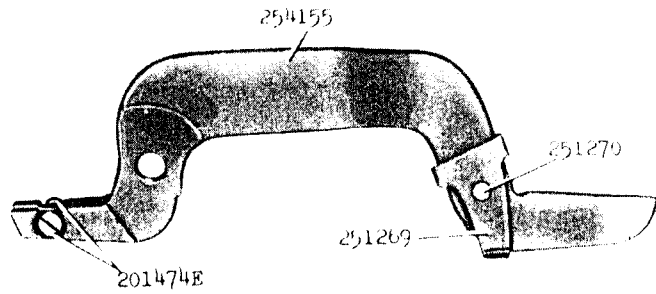
250538



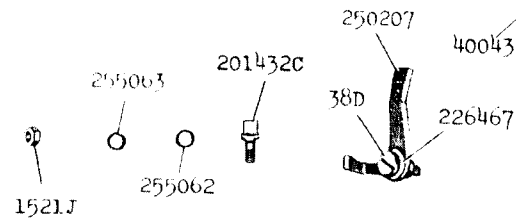
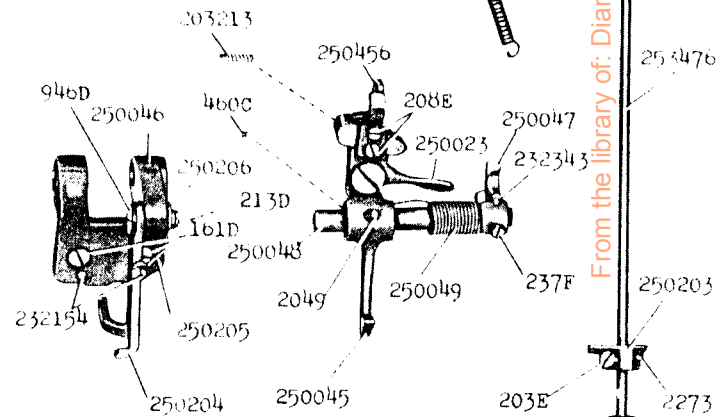
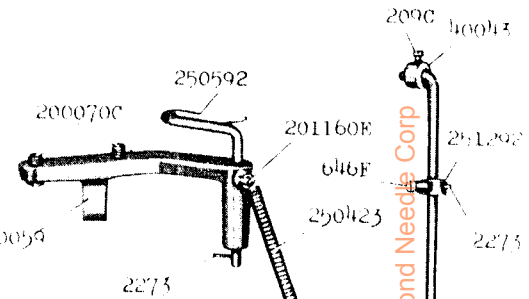
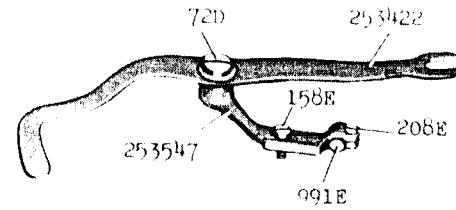
From the library of Diamond Needle Corp

35
32
27

16440 - 1/3

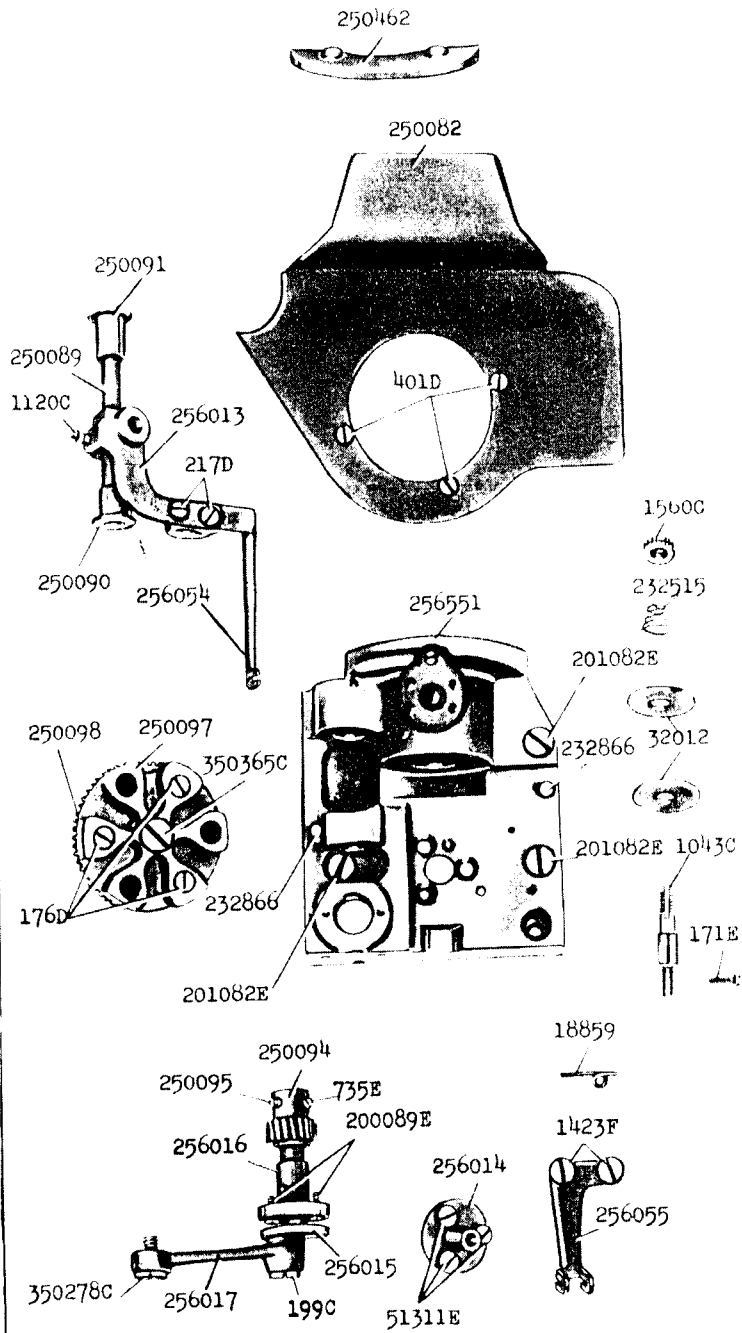


16441 - 1/3

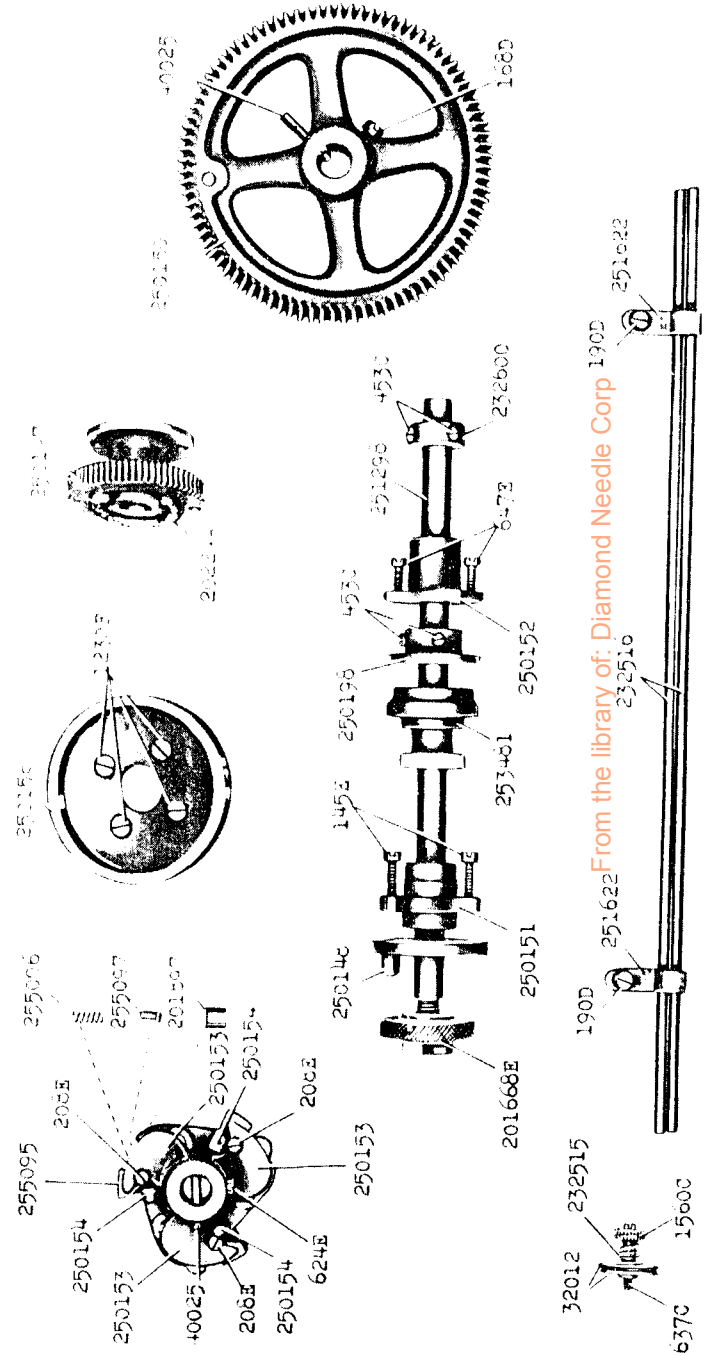


From the library of: Diamond Needs Corp

16444 - 3/8

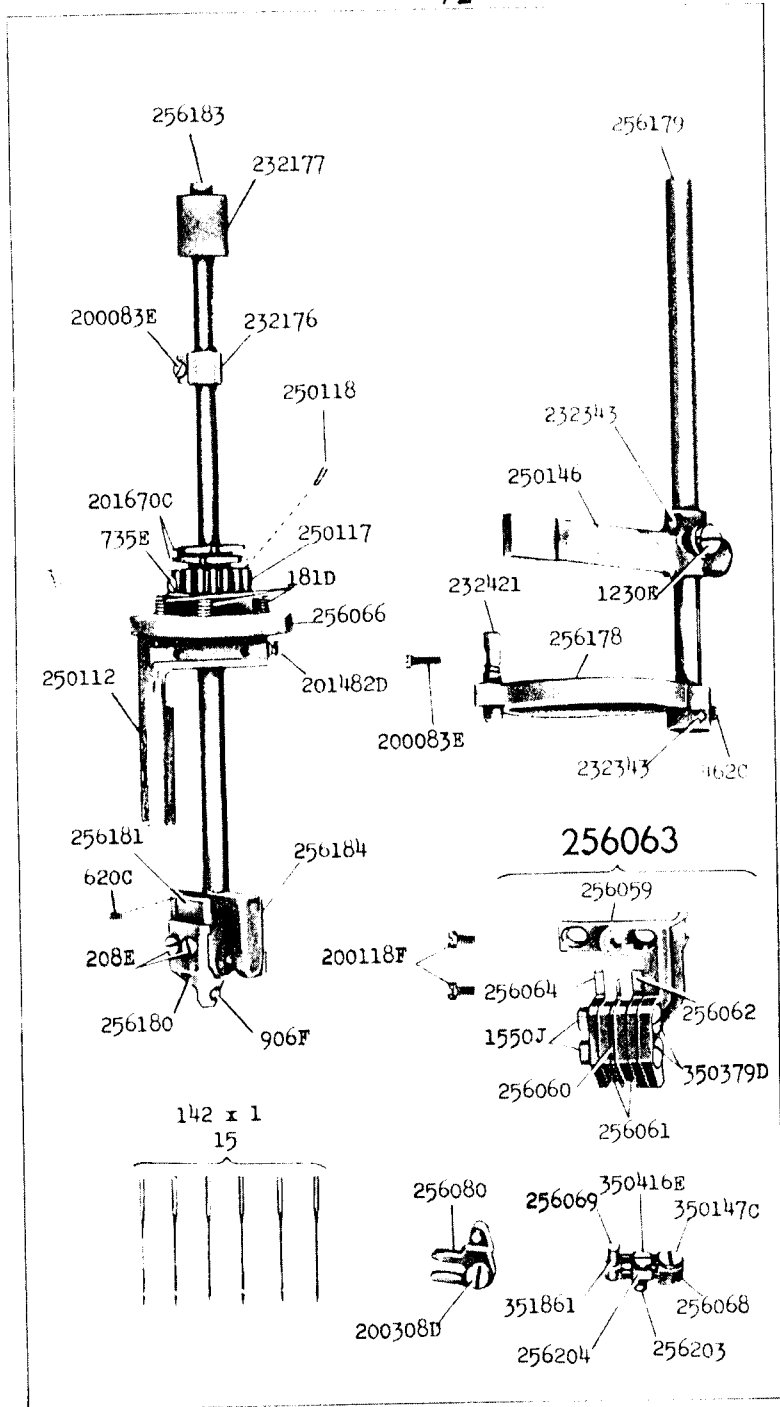


16445 - 1/3

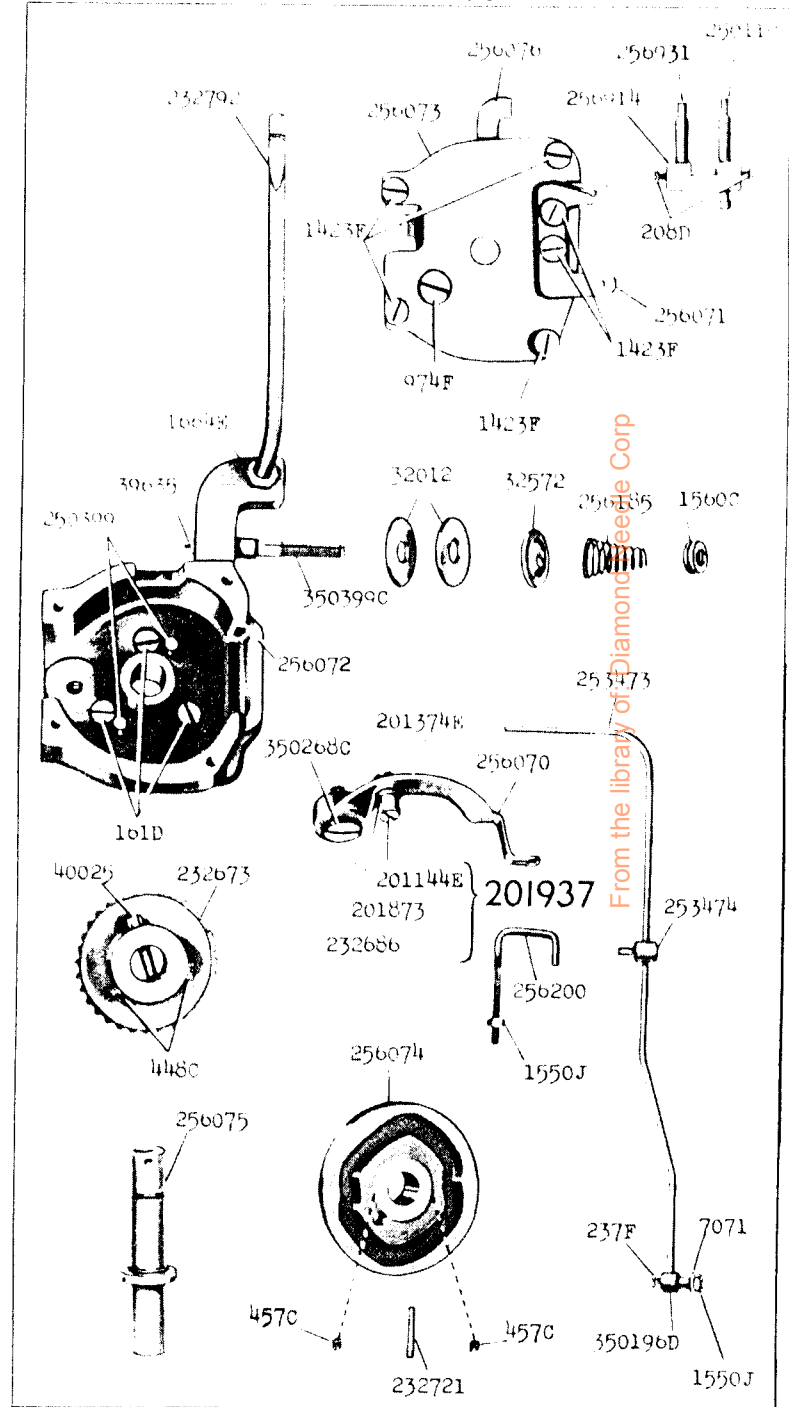


From the library of: Diamond Needle Corp 190D

16446 - 1/2



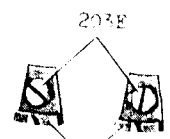
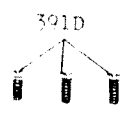
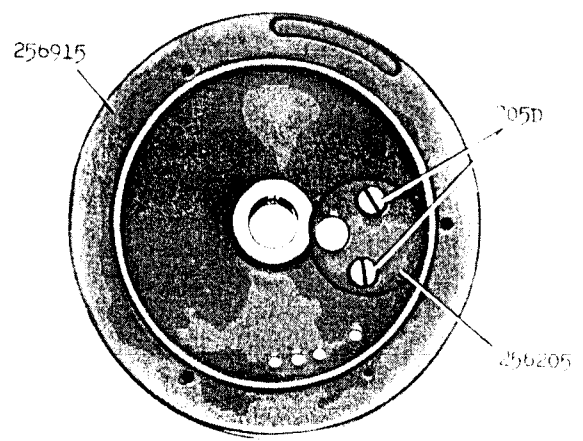
16447 - 3/8



From the library of Diamond Seals Corp

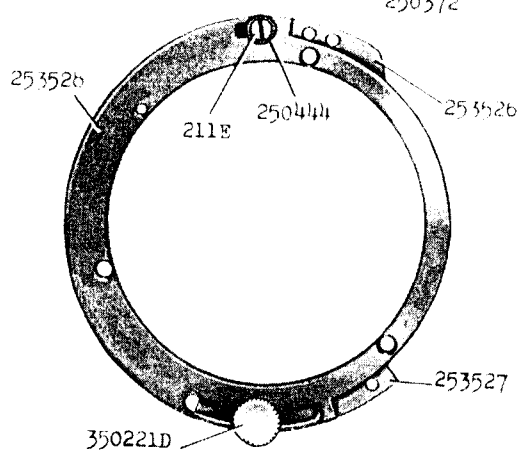
16448 - 1/2

256916 11/16 S.B.(S)



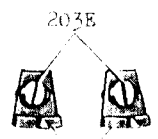
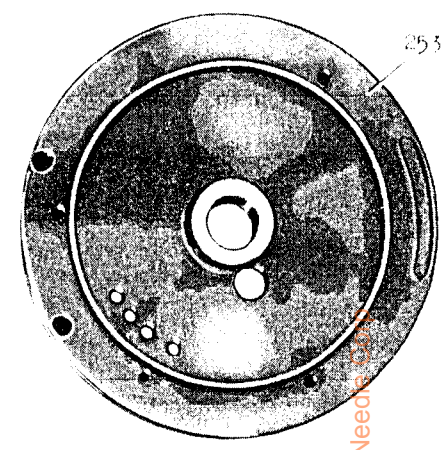
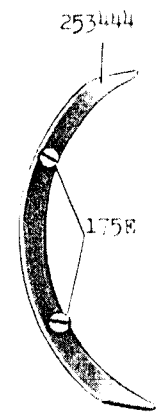
253529

250372



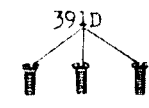
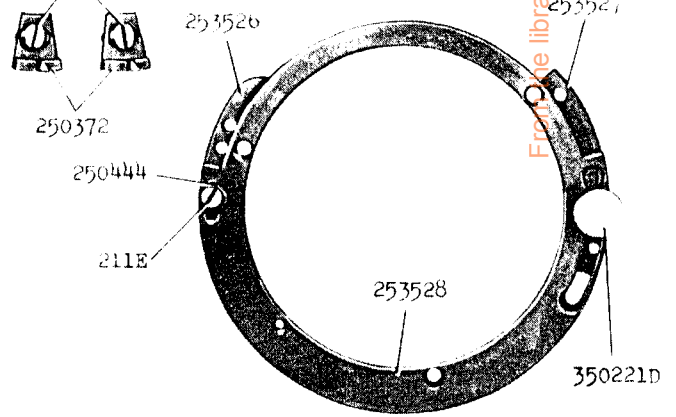
16449 - 1/2

253494 11/16 S.B.(S)



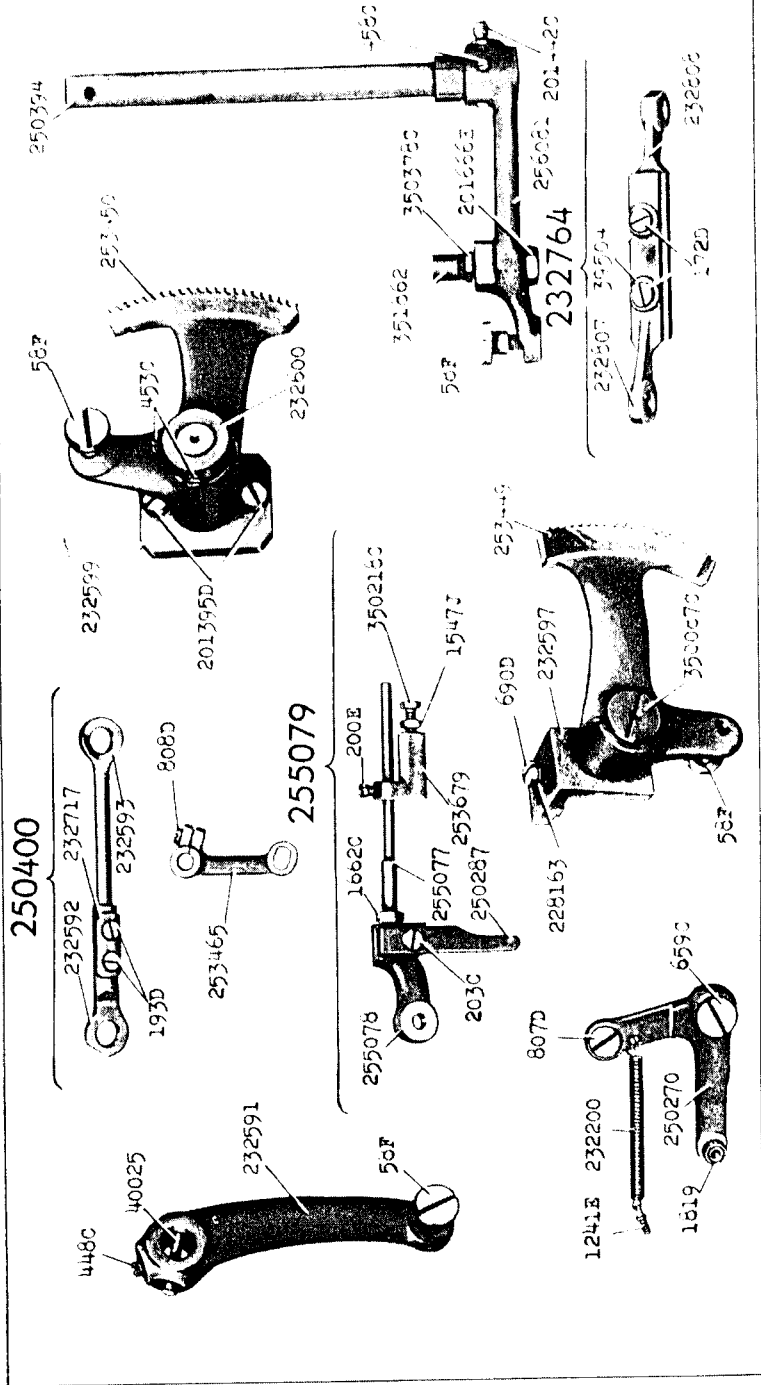
253529

250372



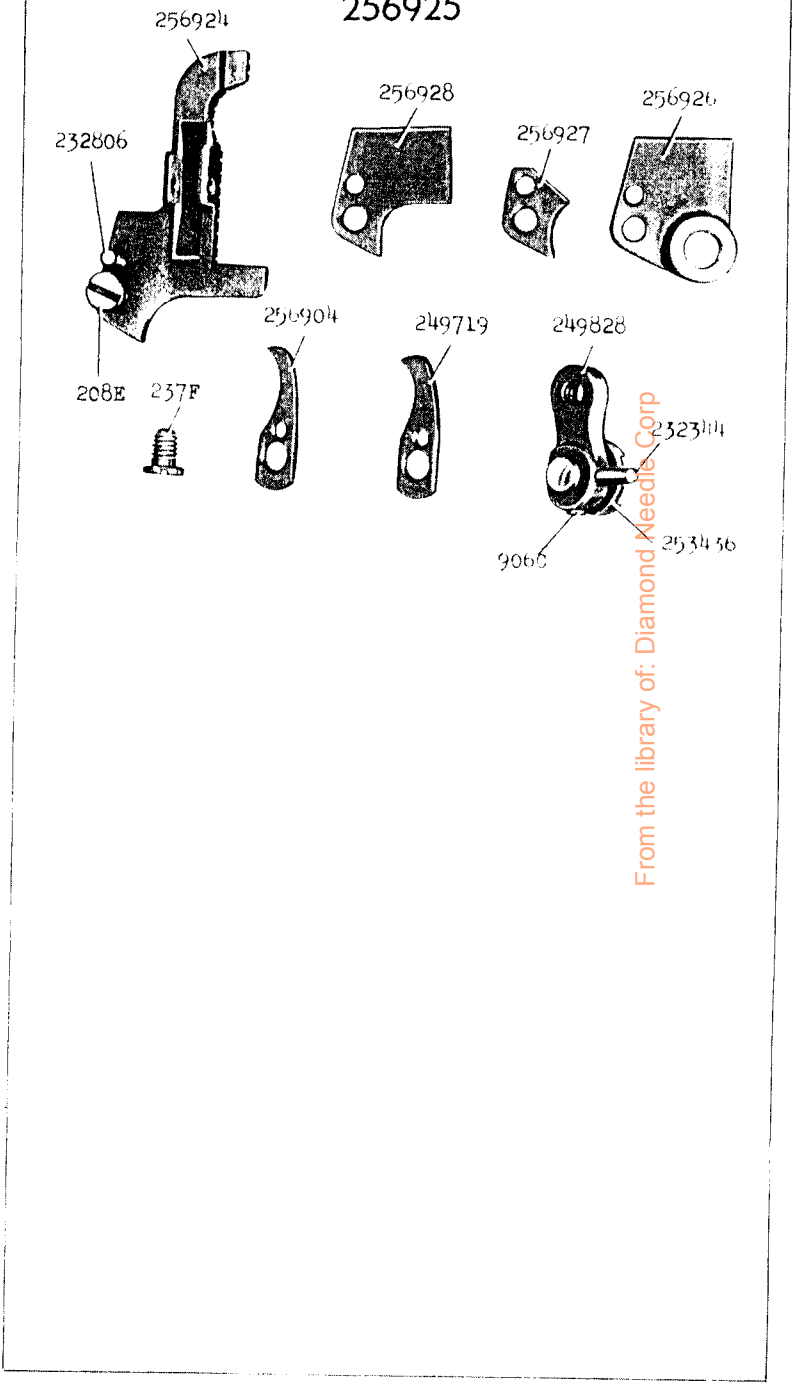
From the library of: Diamond Needs

16451 - 3/8



16452

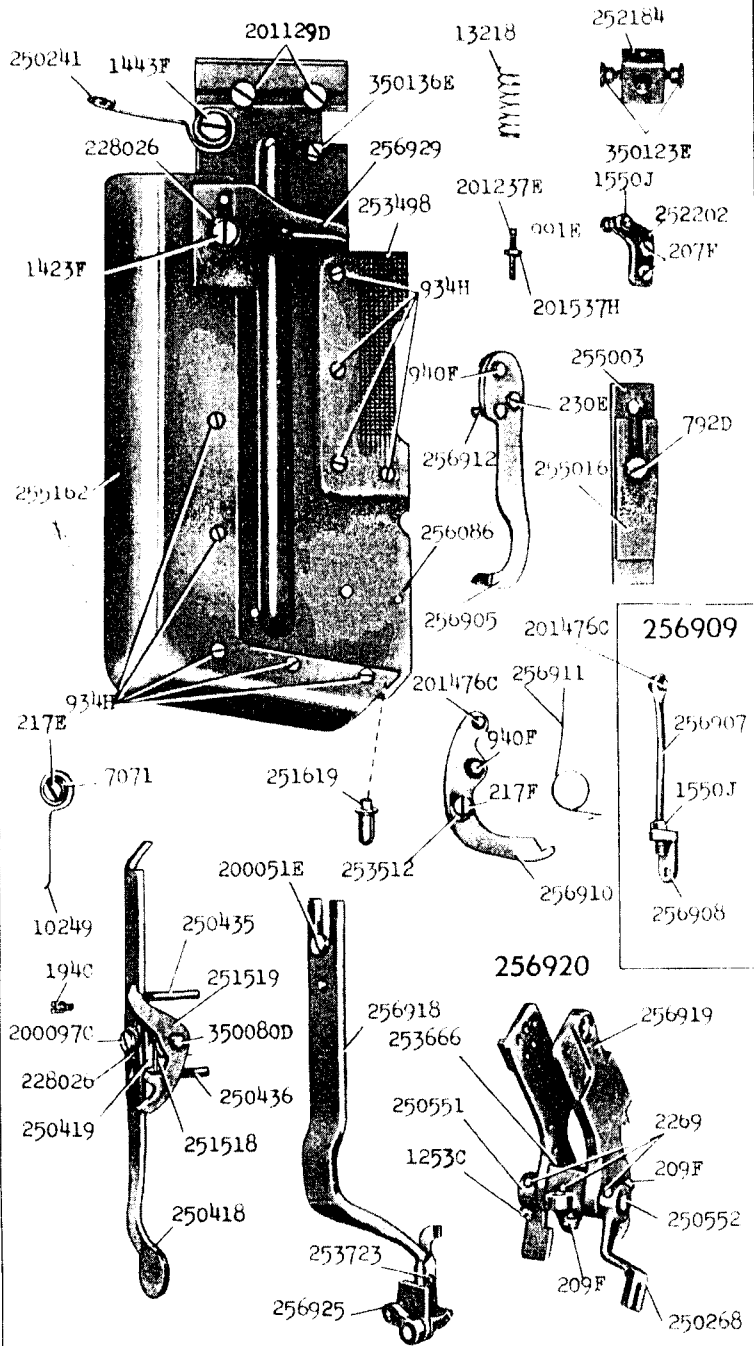
256925



From the library of: Diamond Needles Corp

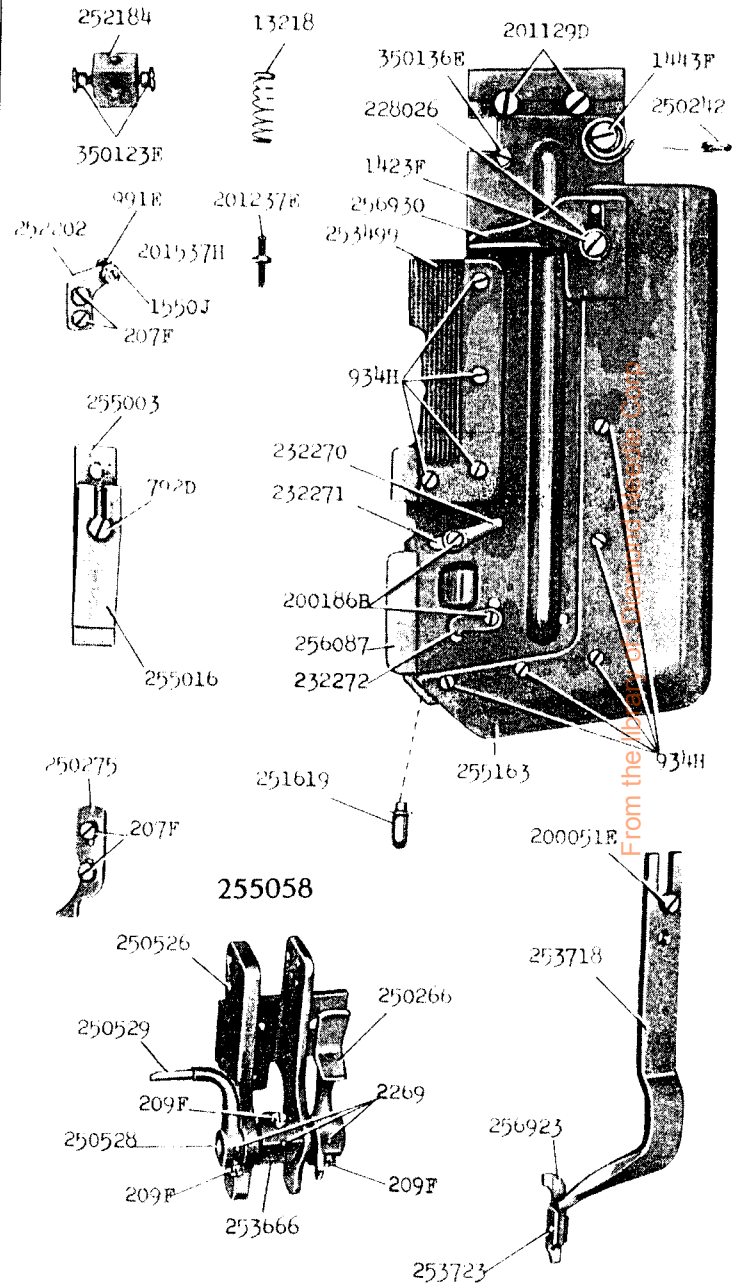
16453 - 3/8

256921

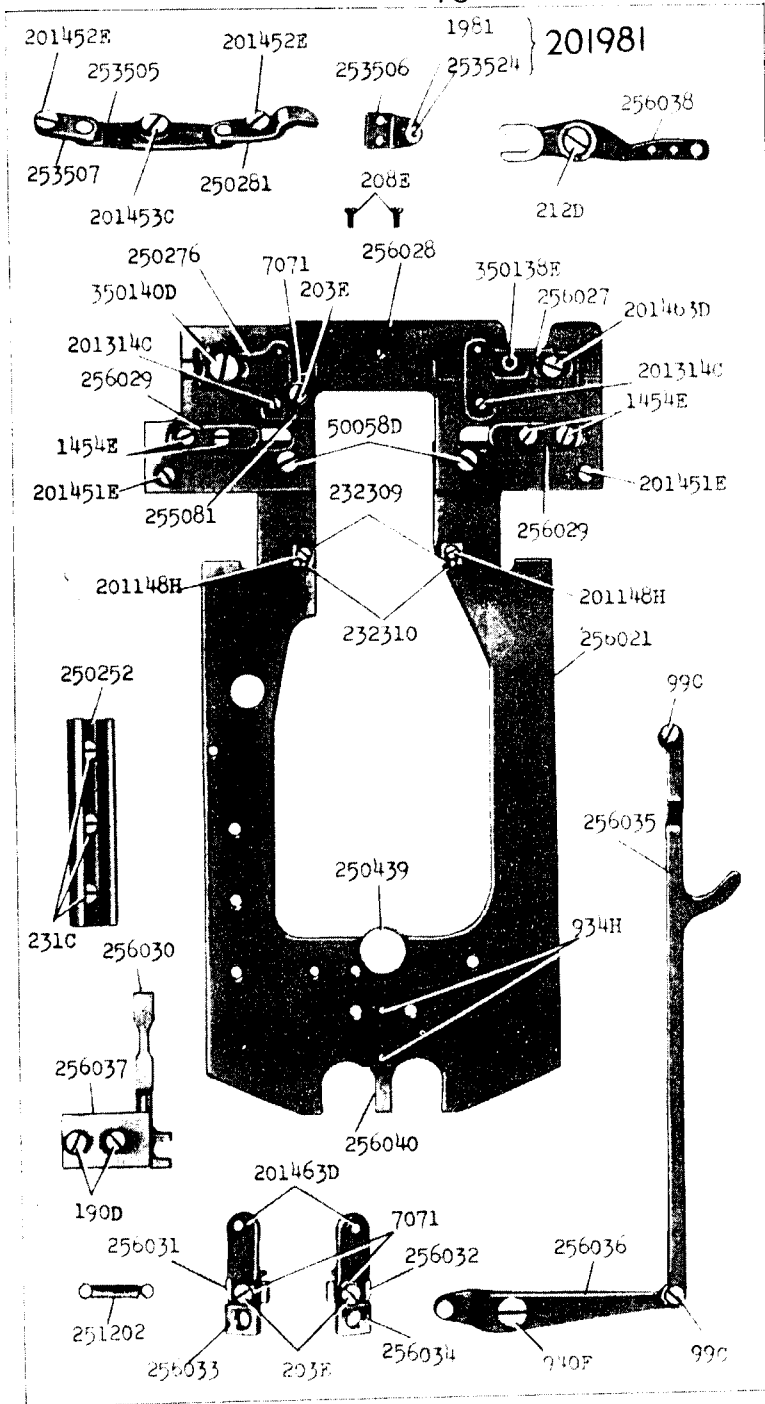


16454 - 3/8

256922



16455 - 3/8



From the library of: Diamond Needle Corp